

TABLE OF CONTENTS

<u>Section</u>	<u>Page</u>
1. SSYSE	2
2. Ssyse_init	3
3. 1.1 Fetch_backup	4
4. 1.2 spque_init	4
5. 1.3.1 Spool_area_check	5
6. 1.4 Ssypr_i_init	6
7. 1.5 Wait_for_start	6
8. 1.6 Start_to_listen	7
9. 1.7 Tlib_init	7
10. 2.1 Manage_disconnect	8
11. 2.2 Manage_connrequest	9

^\$DATE;

<u>Section</u>	<u>Page</u>
12. 3 serv_client	10
13. 3.1 Append_entry	11
14. 3.1.1 Ssy_acchk	12
15. 3.2 Change_queue	12
16. 3.3 Change_prque	13
17. 3.4 Ssyse_splfile	14
18. 3.5 Updat_ssyparam	14
19. 3.6 Control_ssyprinters	15
20. 3.7 Cha_printer	16
21. 3.8 List_spque	16
22. 3.9 Remove_entry	17
23. 3.10 Stop_sprint	18

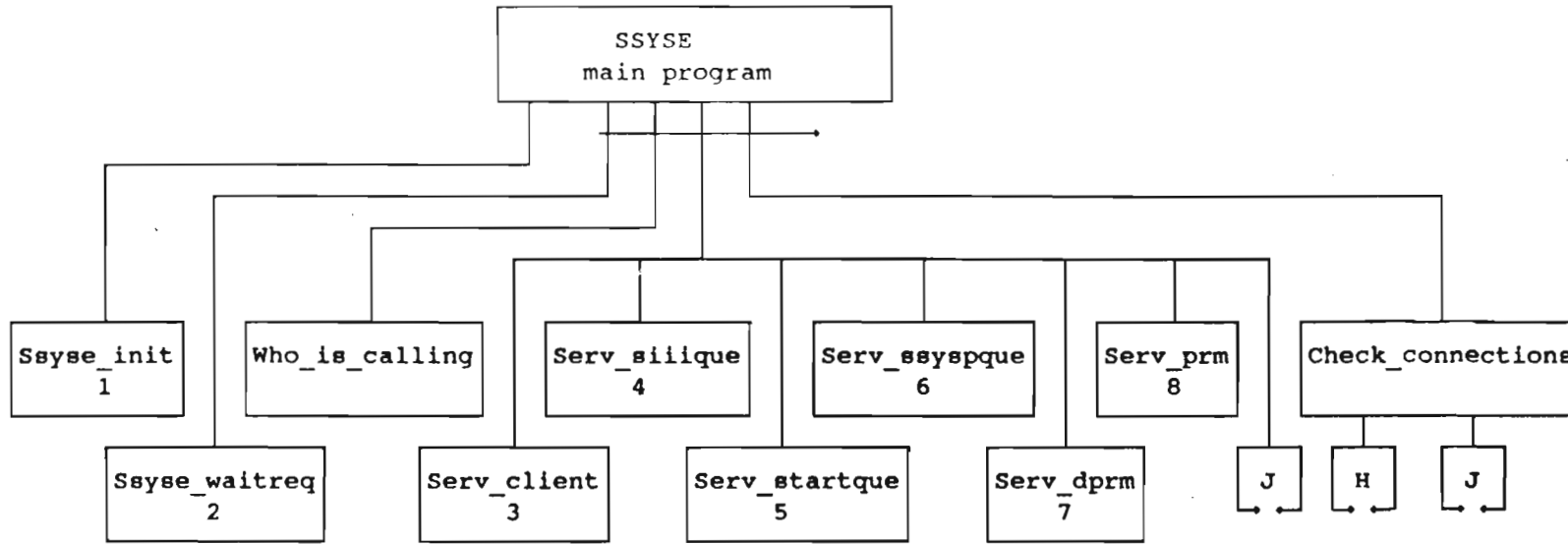
<u>Section</u>	<u>Page</u>
24. 3.11 Change_ssyquelement	19
25. 3.11.1 Desk_print	20
26. 3.11:1.1 Start_dprm	20
27. 3.12 Get_version	21
28. 3.13 Insert_ssyprinter	22
29. 3.13.1 Chk_prdata	23
30. 3.13.2 Fill_prinfo	23
31. 3.14 Del_ssyprdata	24
32. 3.15 Physical_prdata	25
33. 3.16 Set_formcontrol	25
34. 3.17 Shift_form	26
35. 3.18 Insert_form	26

<u>Section</u>	<u>Page</u>
36. 3.19 Del_ssyform	27
37. 4 Serv_siiique	28
38. 5 Serv_startque	28
39. 6 Serv_ssyqpue	29
40. Serv_dprm	30
41. 8 Serv_prm	31
42. 8.1 Prm_init	32
43. 8.2 Prm_finished	33
44. 8.3 Chk_prmstat	34
45. 8.3.1 Printer_error	34
46. 8.4 Fetch_file	35
47. A Store_block	36

<u>Section</u>	<u>Page</u>
48. B Build_entry	36
49. C Link_entry	37
50. D Check_ssyprinters	37
51. E Send_client	38
52. F Full_filename	38
53. G Waitfor_prm	39
54. H Send_prm	39
55. I Send_message	

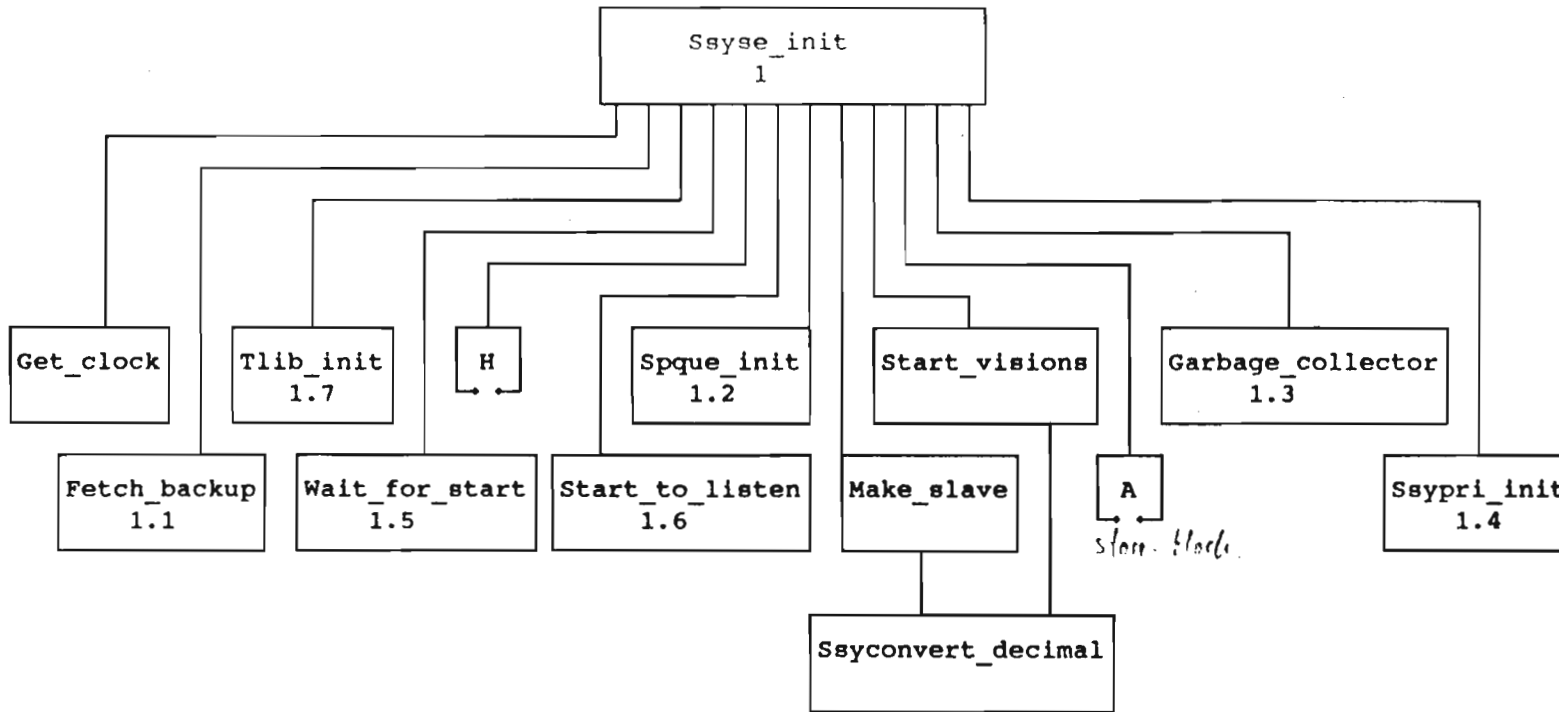
18.04.1990

1. SSYSE



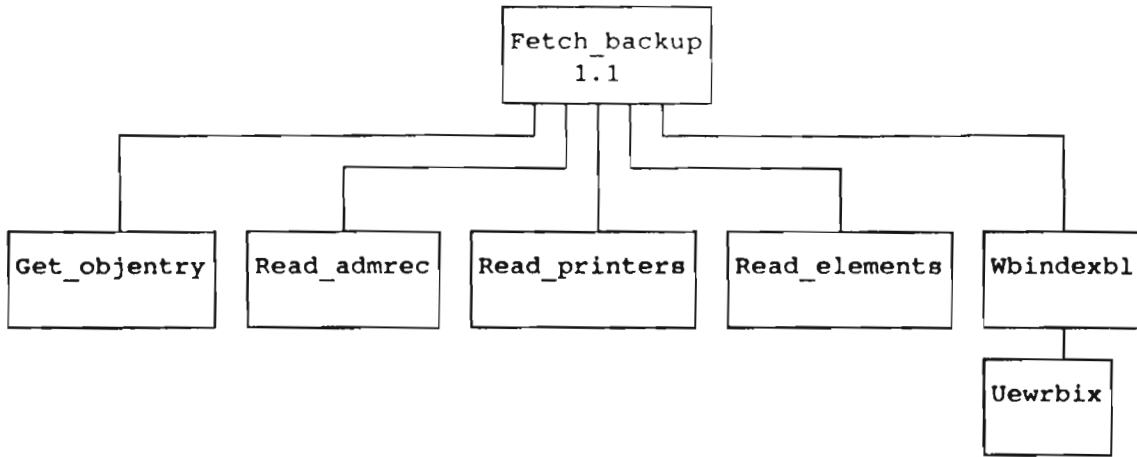
18.04.1990

2. Ssyse\_init

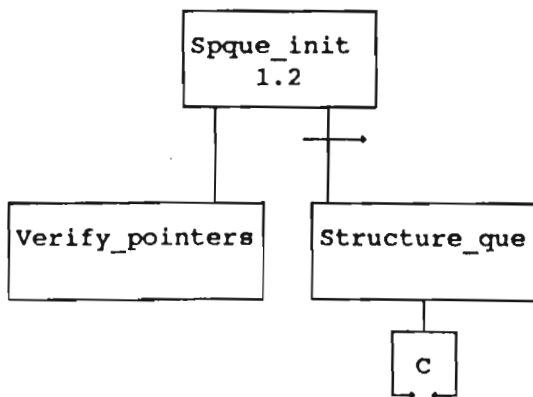




3. 1.1 Fetch\_backup



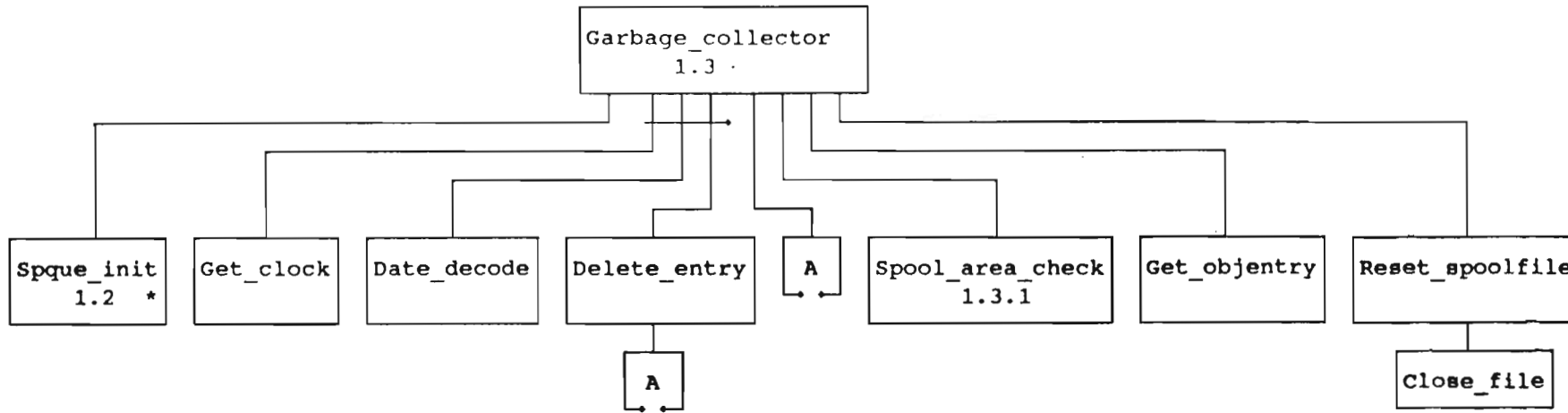
4. 1.2 spque\_init



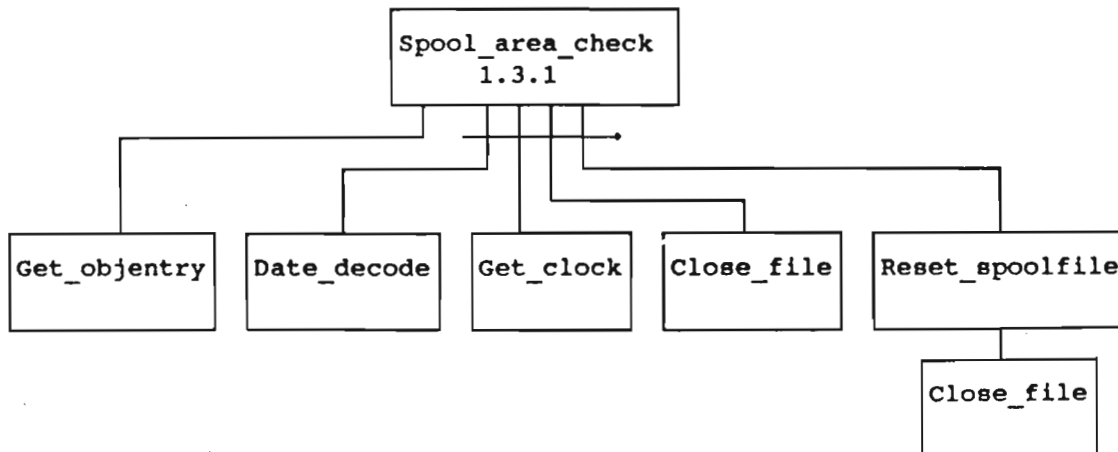
^;  
^pg;

^\$DATE;

^ch=1.3 Garbage\_collector;  
^a;

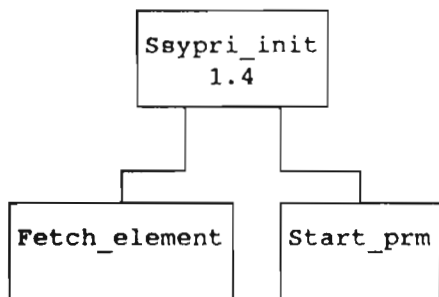


5. 1.3.1 Spool\_area\_check

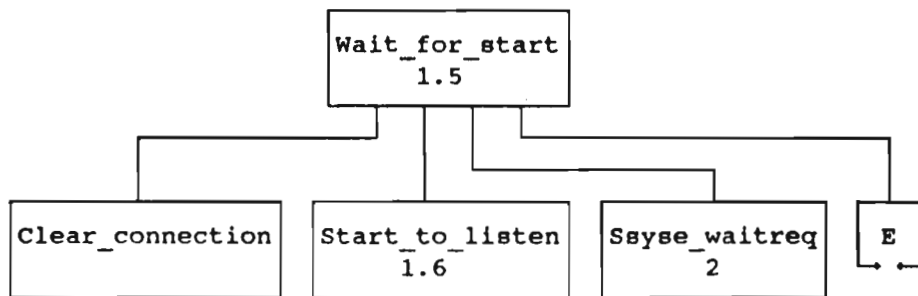


18.04.1990

6. 1.4 Ssyprinit

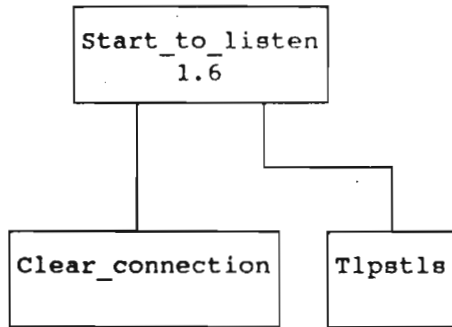


7. 1.5 Wait\_for\_start

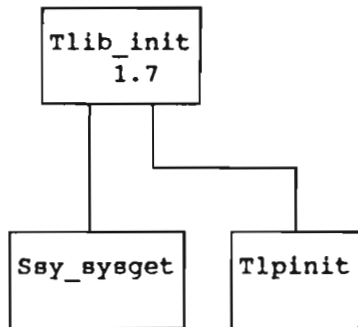


18.04.1990

8. 1.6 Start\_to\_listen

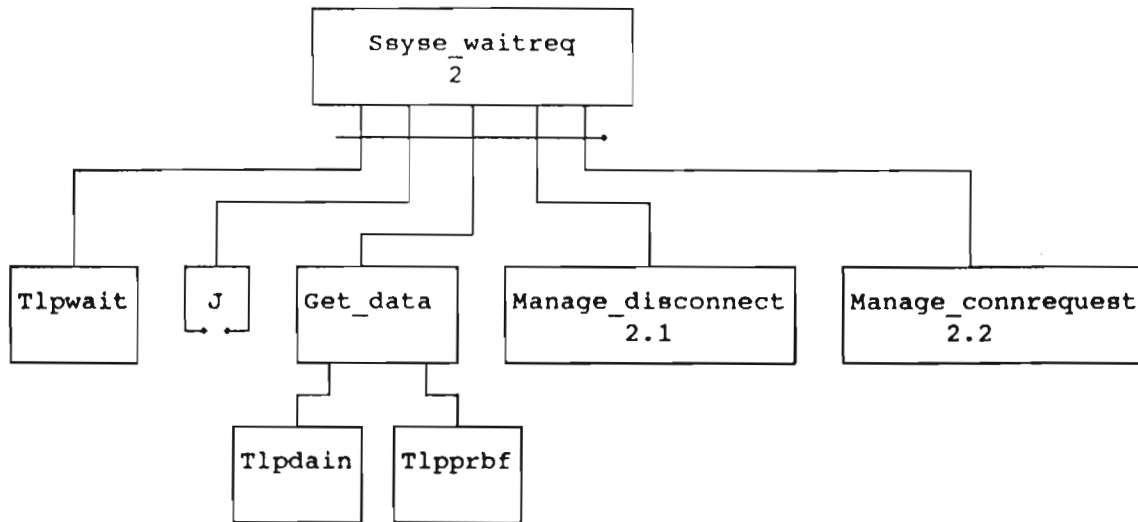


9. 1.7 Tlib\_init

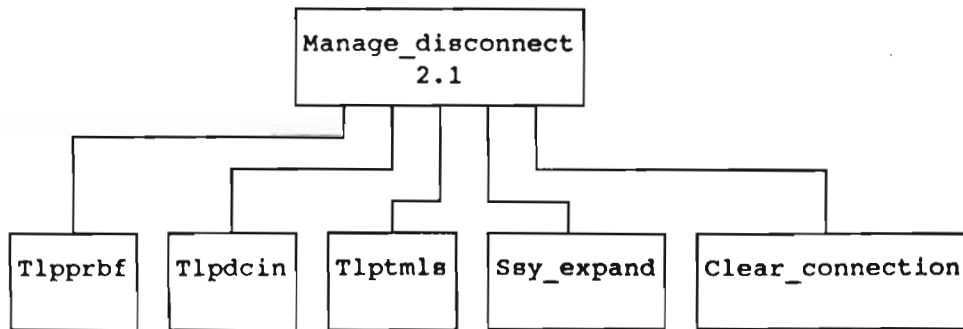


```
^;  
^pg;  
^ch=2 ssyse_waitreq;  
^a;
```

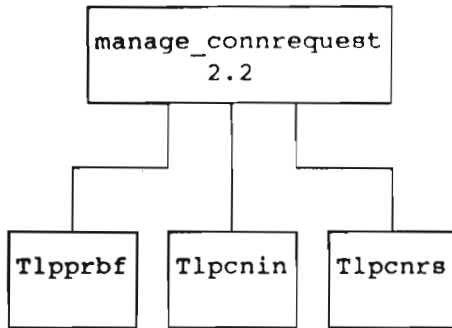
```
^$DATE;
```



10. 2.1 Manage\_disconnect

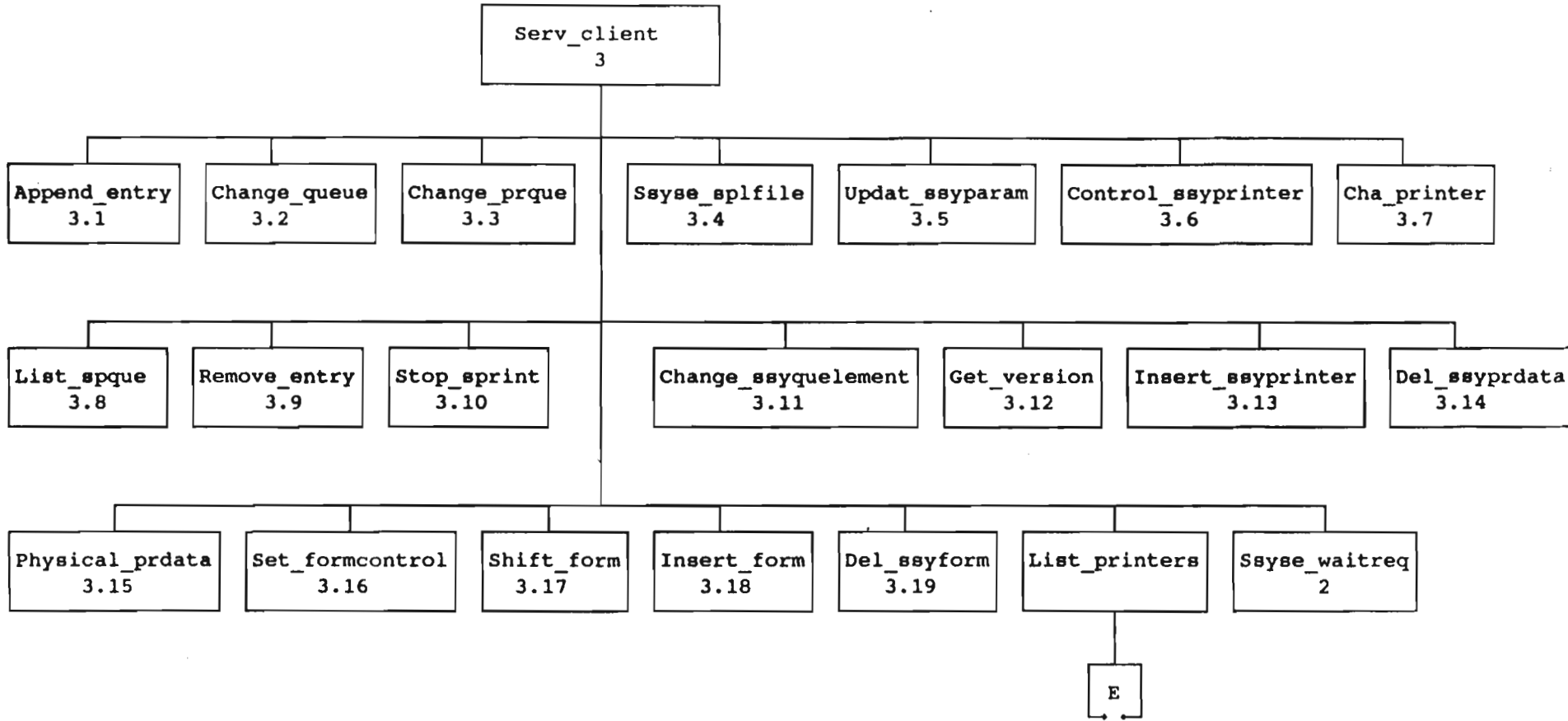


11. 2.2 Manage\_connrequest



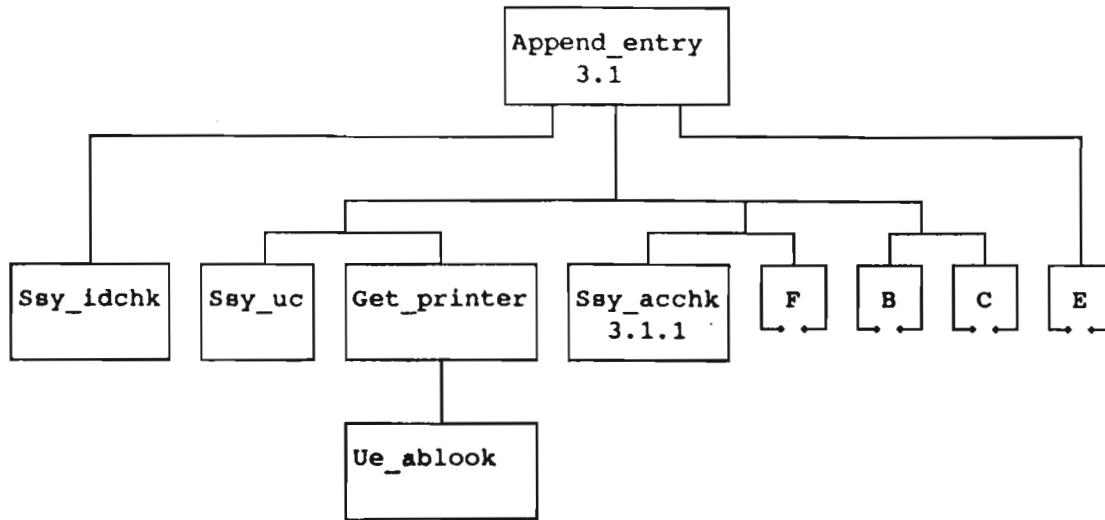
18.04.1990

12.3 serv\_client



18.04.1990

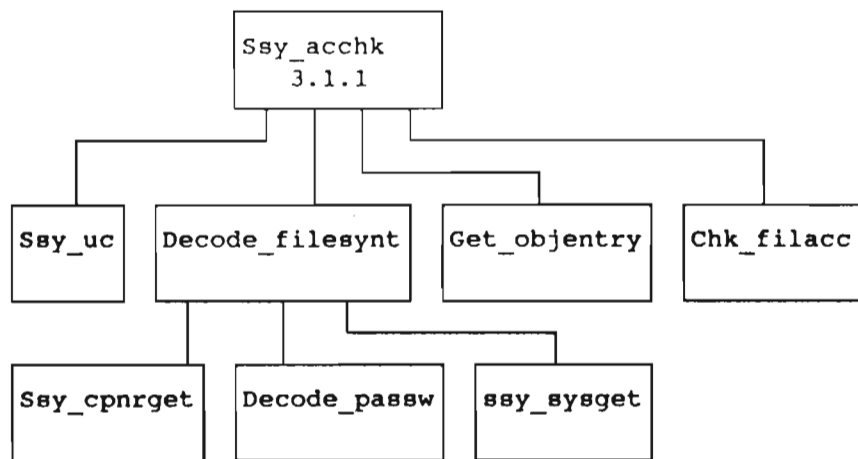
13. 3.1 Append\_entry



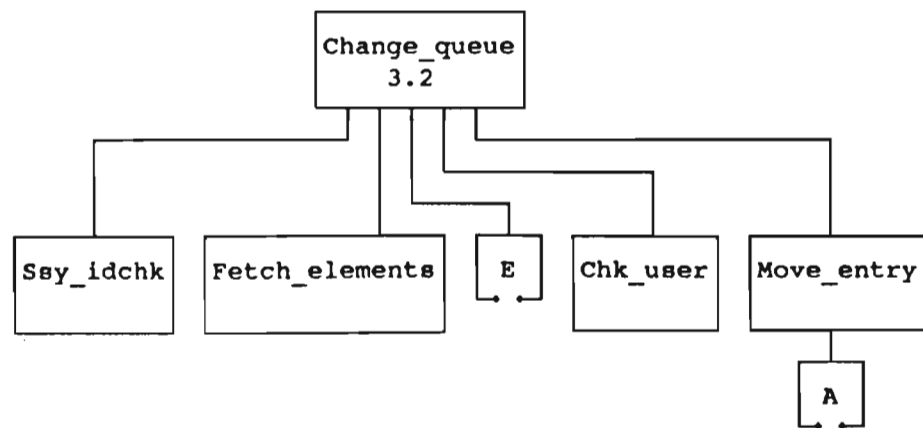
18.04.1990



14. 3.1.1 Ssy\_acchk

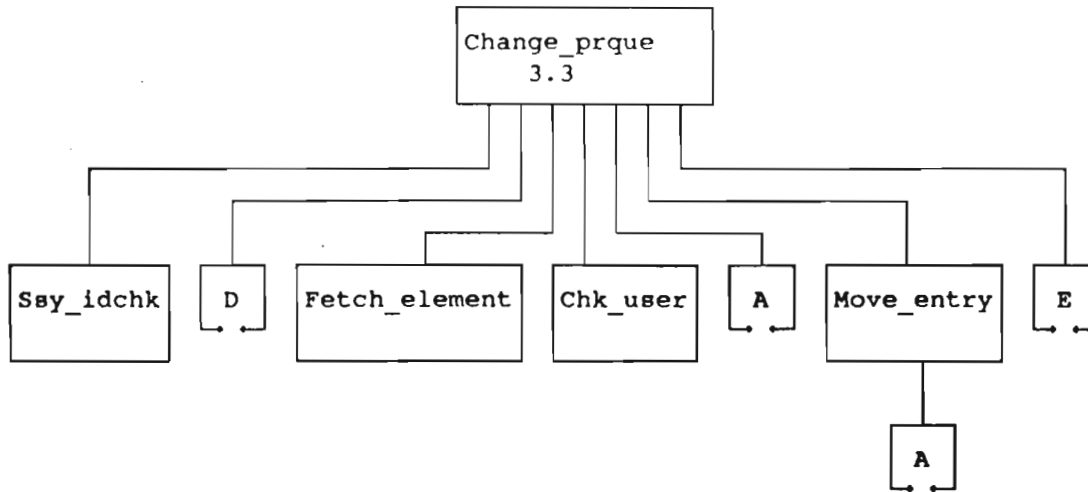


15. 3.2 Change\_queue



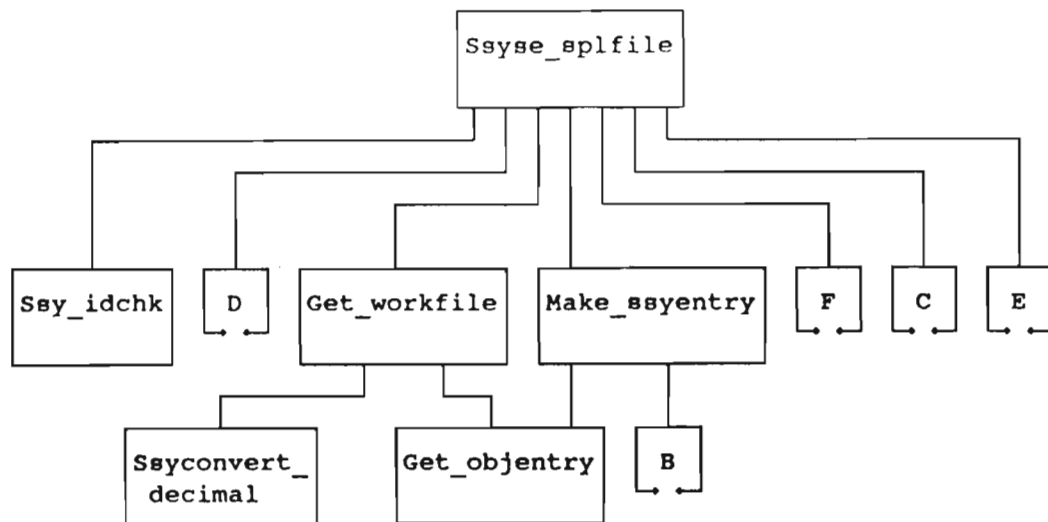
18.04.1990

16. 3.3 Change\_prque

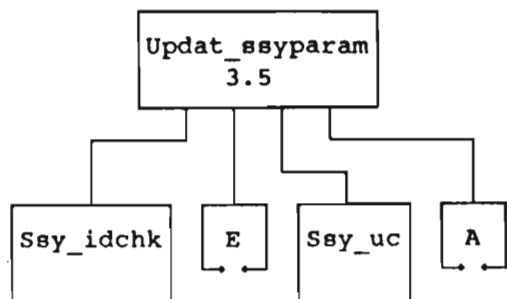


18.04.1990

17. 3.4 Ssyse\_splfile

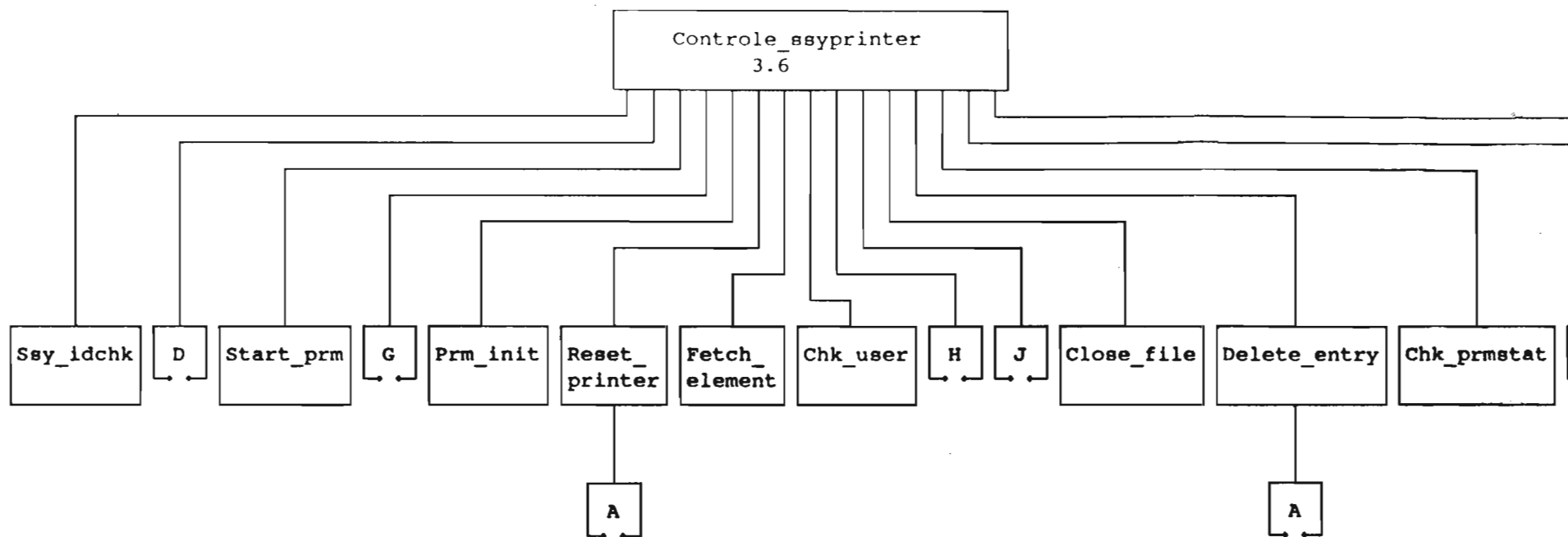


18. 3.5 Updat\_ssyparam



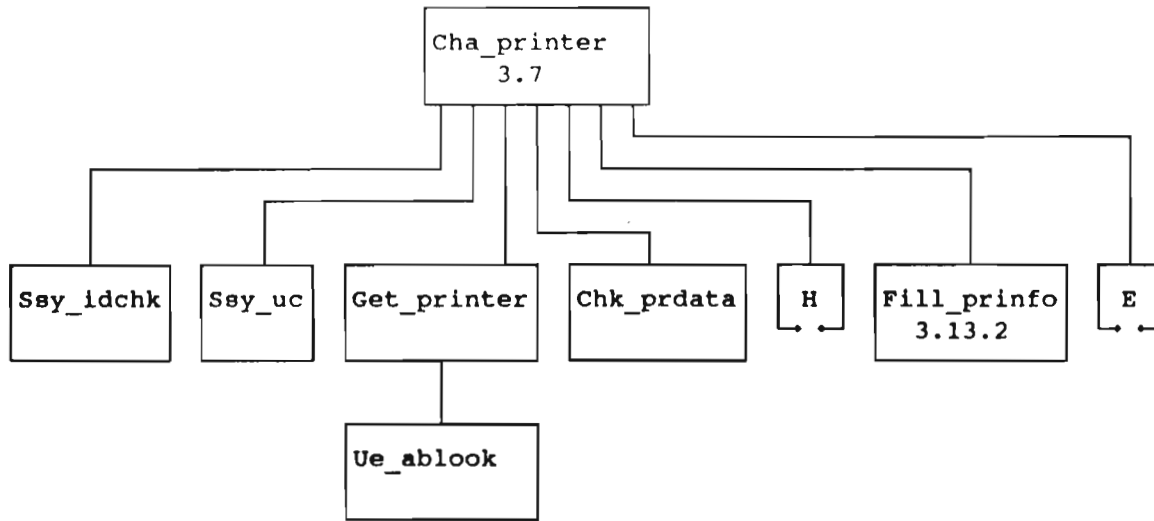
18.04.1990

19. 3.6 Control\_ssyprinters

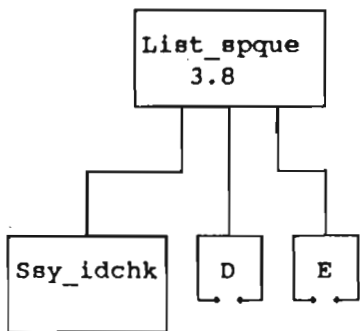


18.04.1990

20. 3.7 Cha\_printer

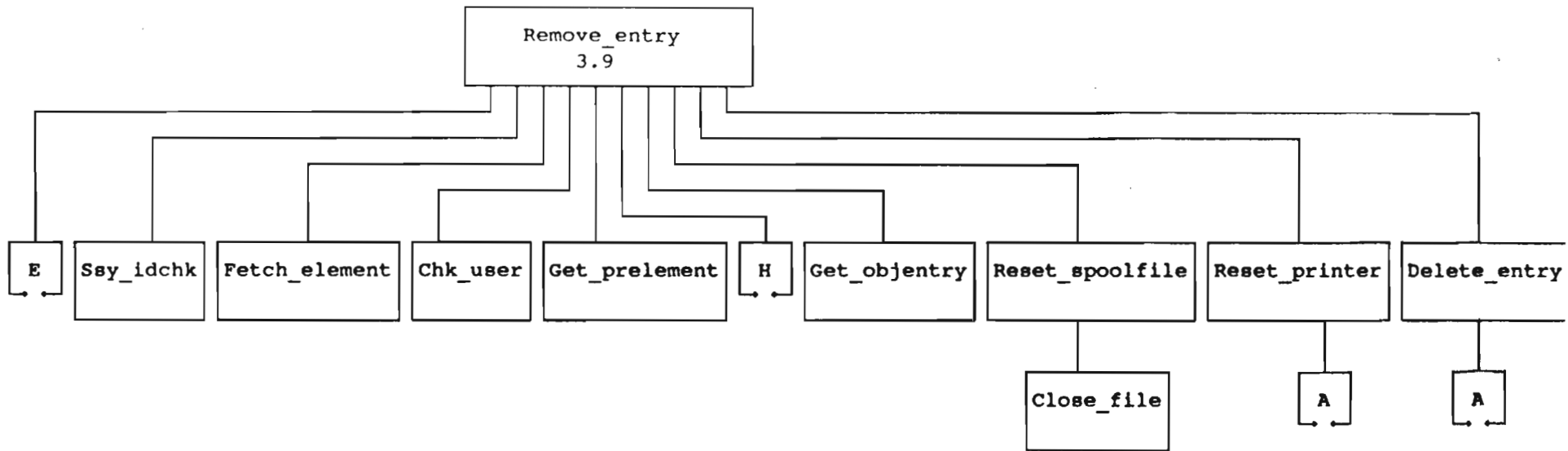


21. 3.8 List\_spque

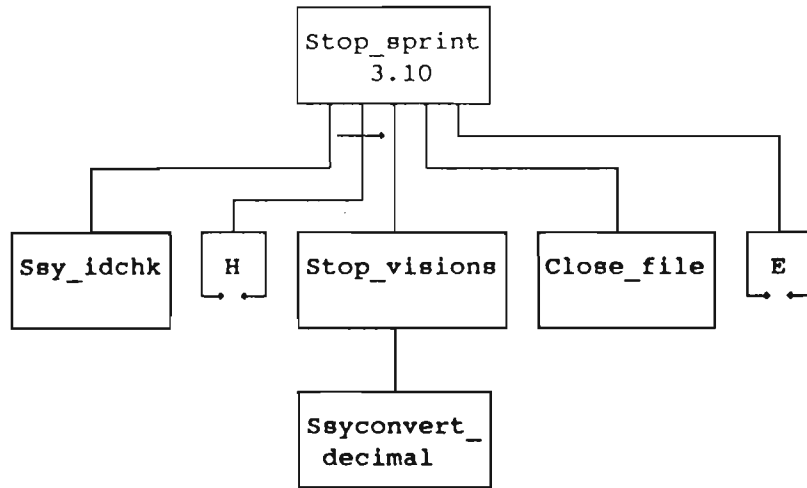


^\$DATE;

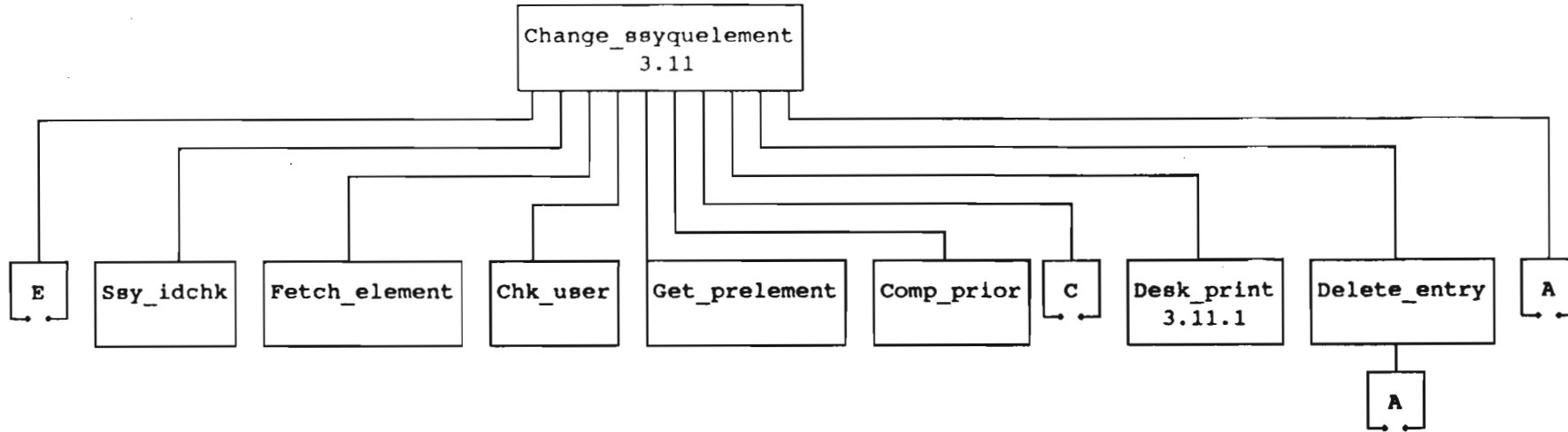
22. 3.9 Remove\_entry



23. 3.10 Stop\_sprint



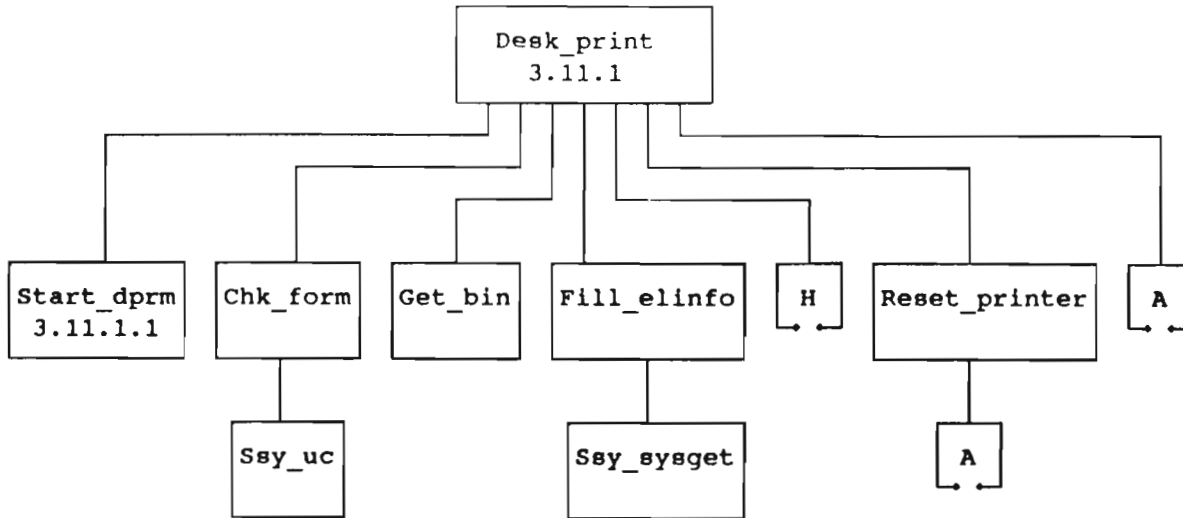
24. 3.11 Change\_ssyquelement



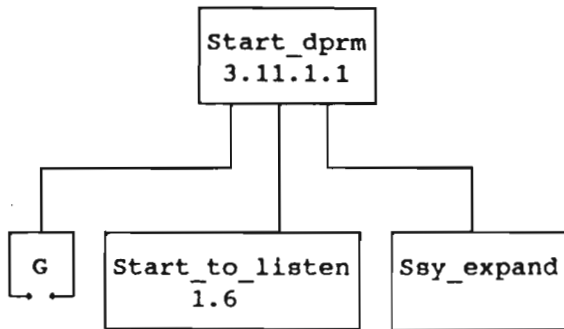
18.04.1990



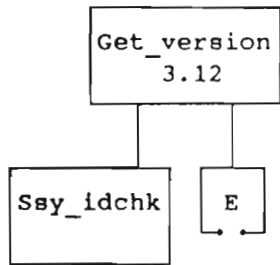
25. 3.11.1 Desk\_print



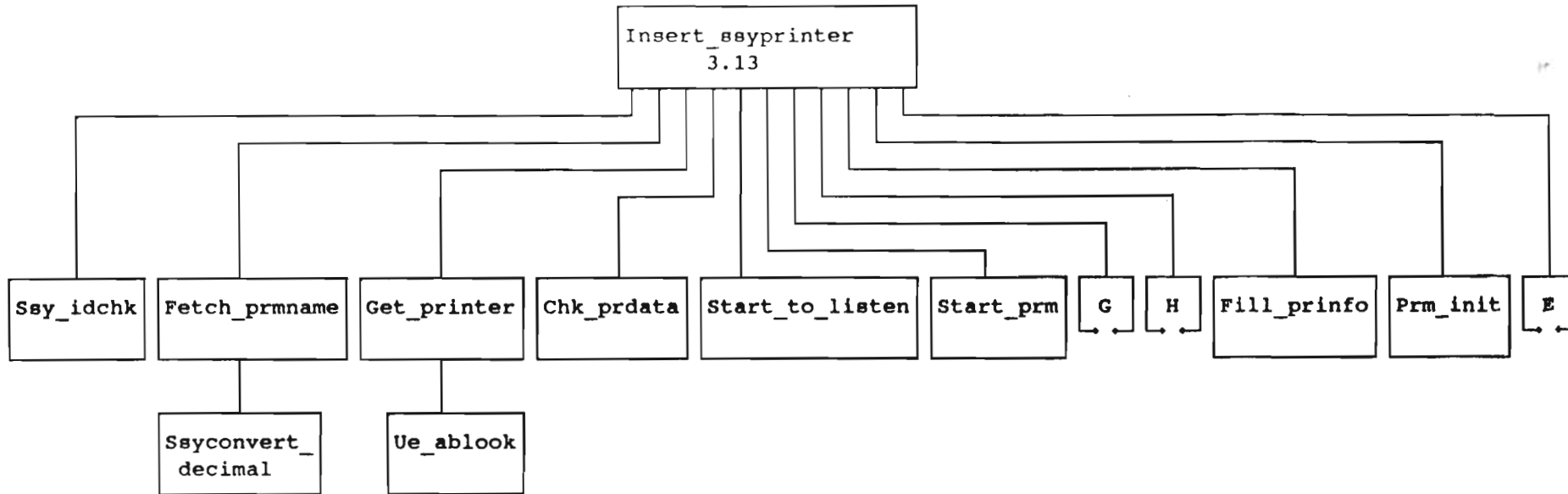
26. 3.11.1.1 Start\_dprm



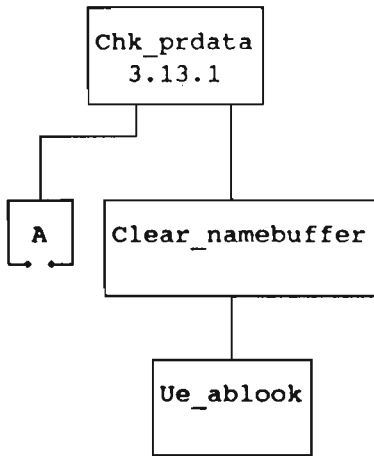
27. 3.12 Get\_version



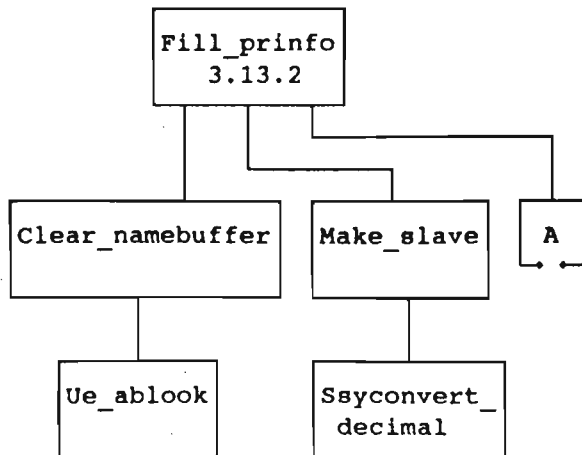
28. 3.13 Insert\_ssyprinter



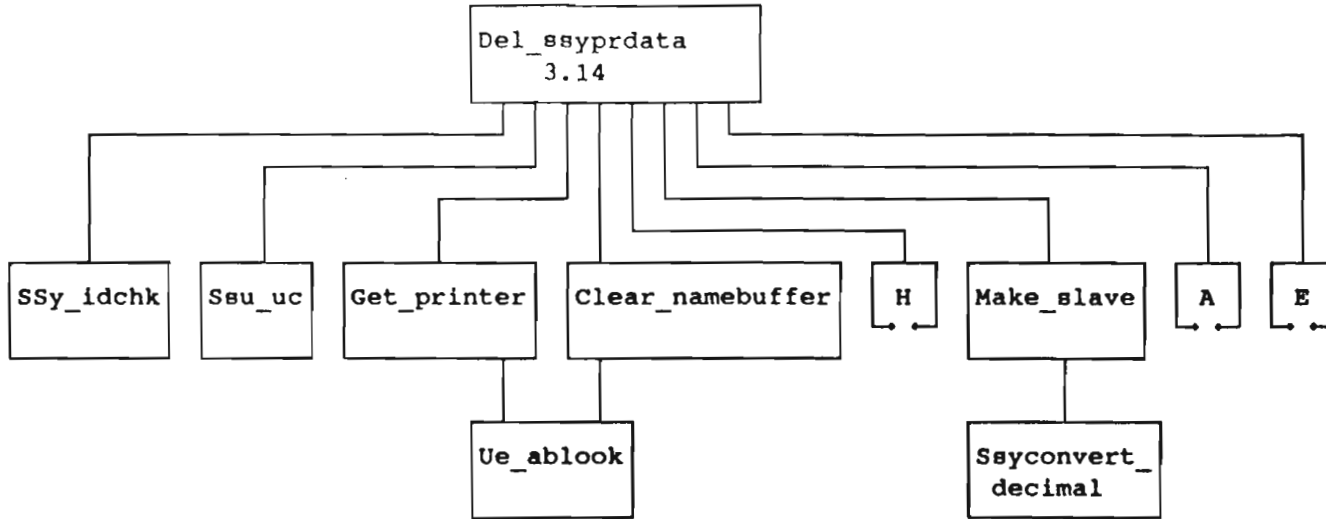
29. 3.13.1 Chk\_prdata



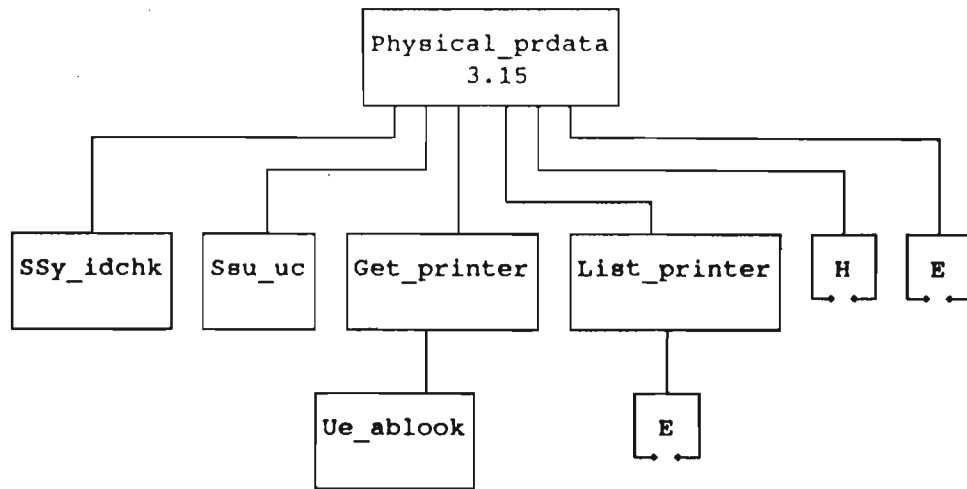
30. 3.13.2 Fill\_prinfo



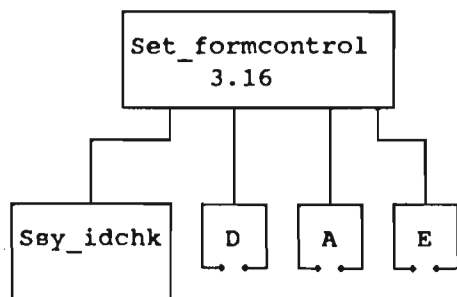
31. 3.14 Del\_ssyprdata



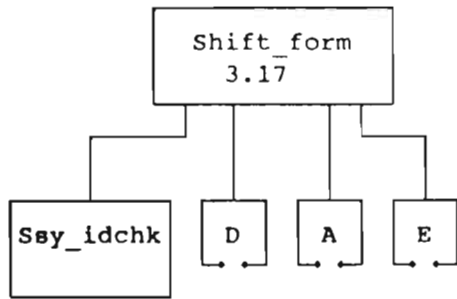
32. 3.15 Physical\_prdata



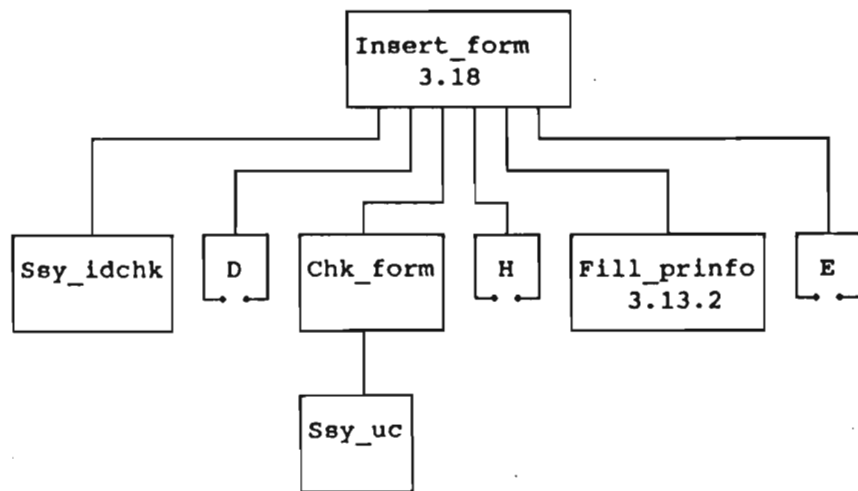
33. 3.16 Set\_formcontrol



34. 3.17 Shift\_form

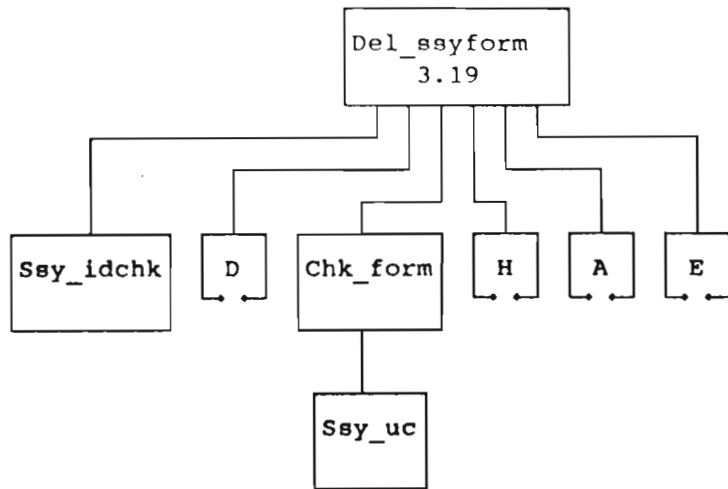


35. 3.18 Insert\_form



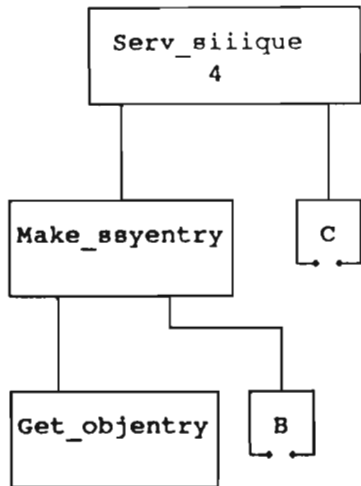
18.04.1990

36. 3.19 Del\_ssyform

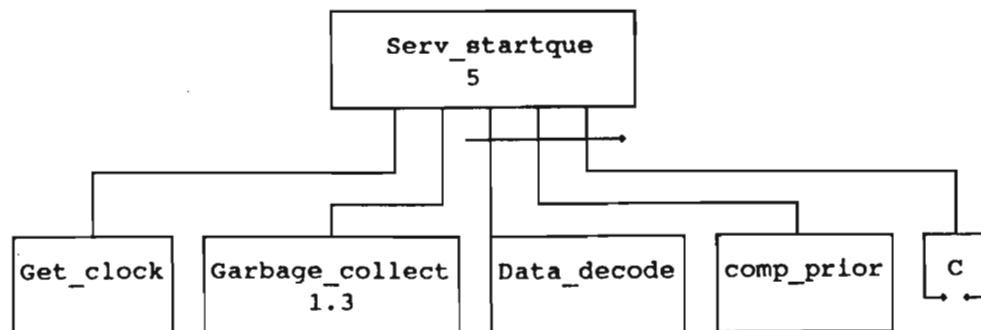




37. 4 Serv\_siiique

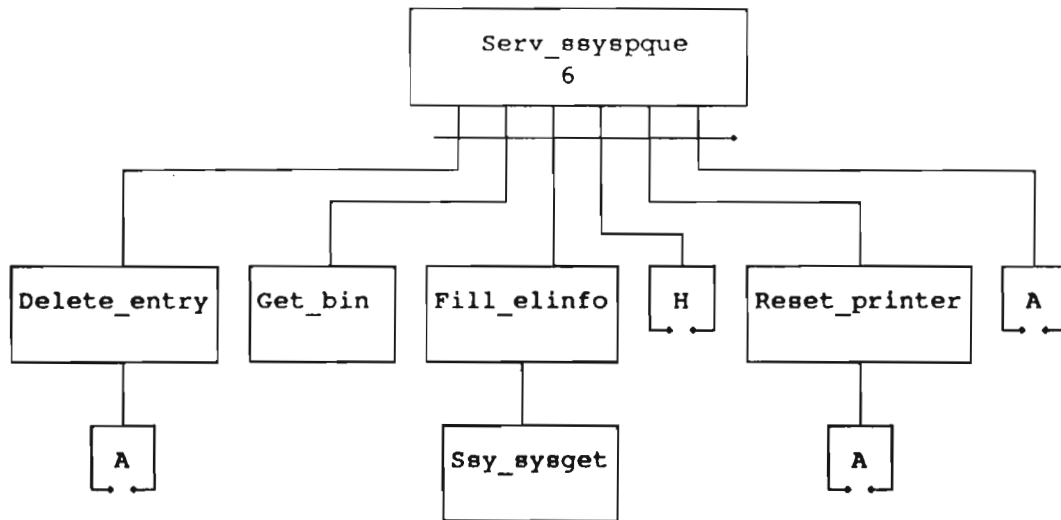


38. 5 Serv\_startque

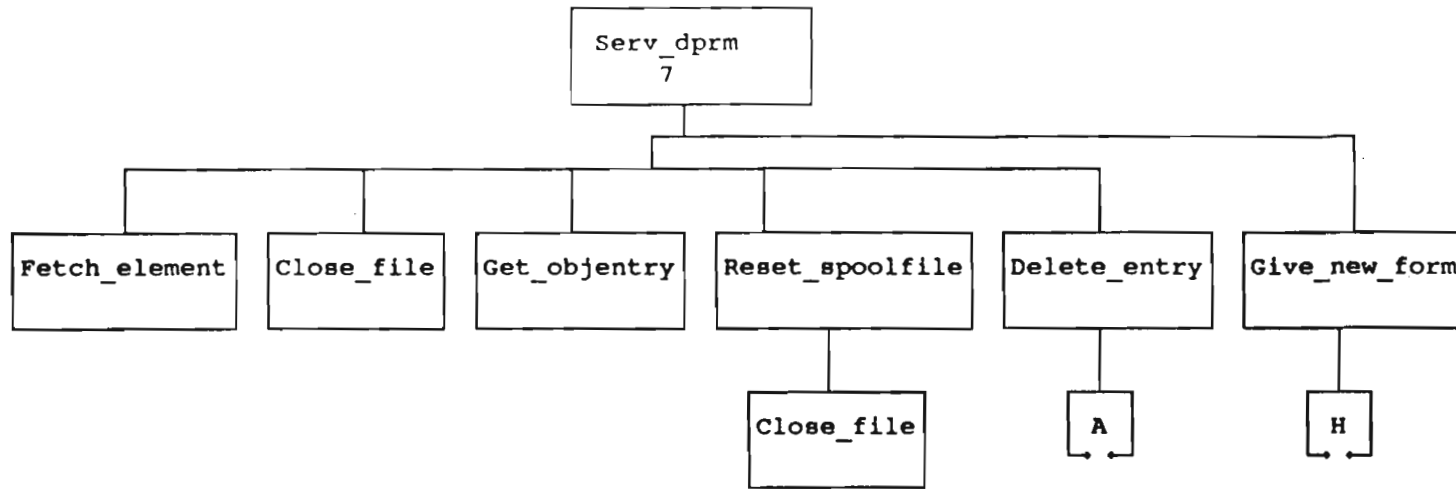


18.04.1990

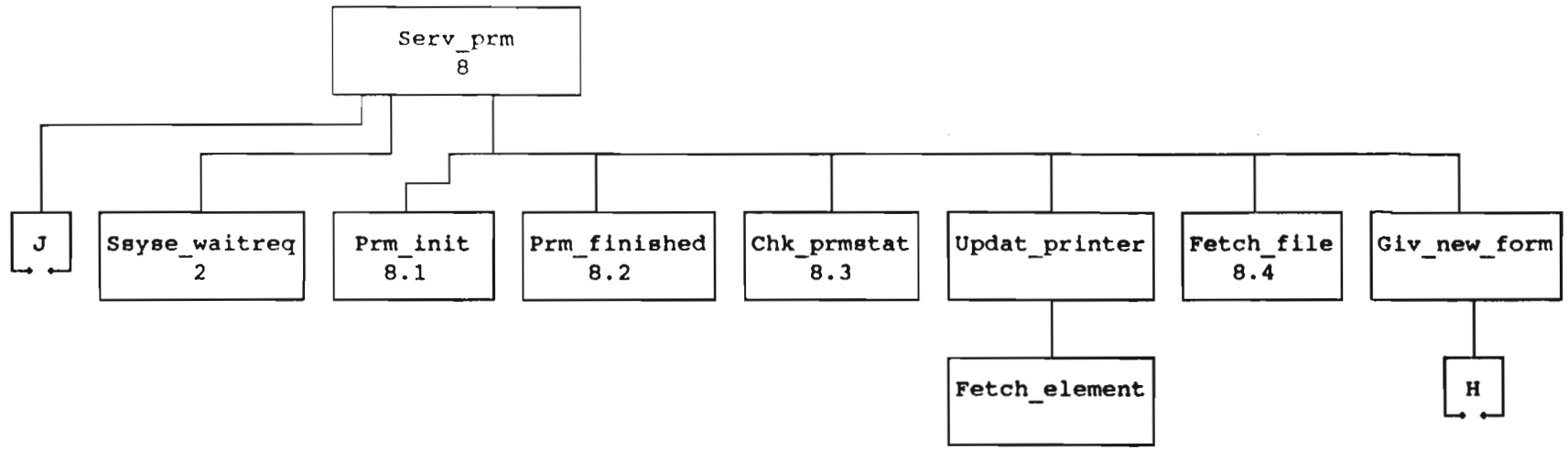
39. 6 Serv\_ssypque



40. Serv\_dprm

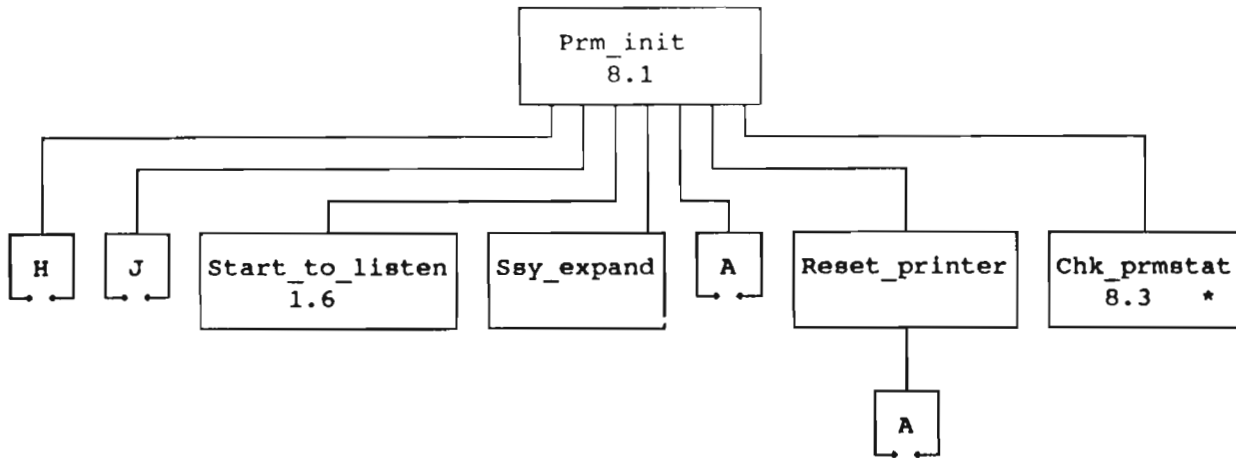


41. 8 Serv\_prm



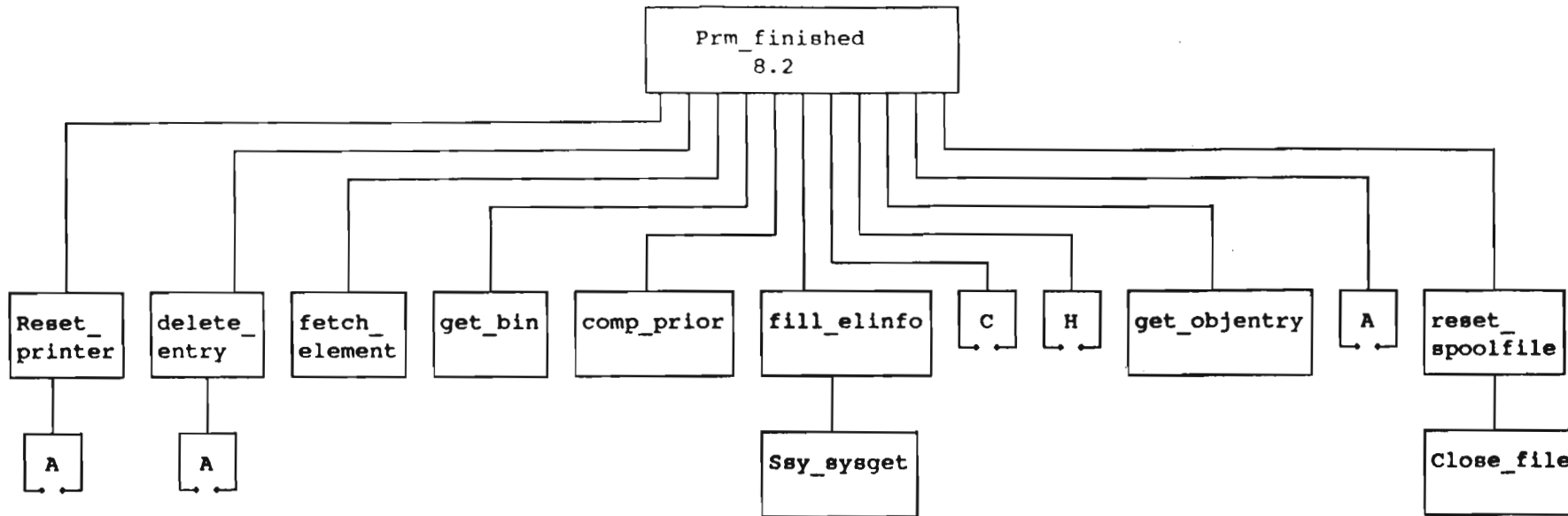
18.04.1990

42. 8.1 Prm\_init

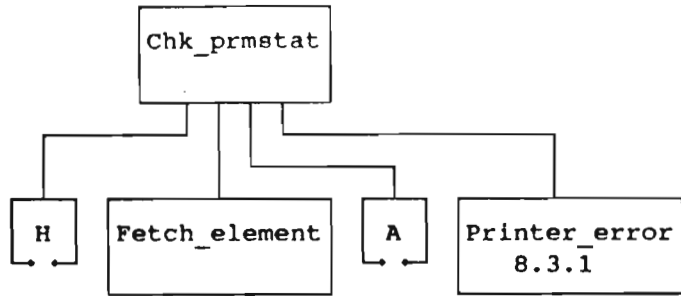


18.04.1990

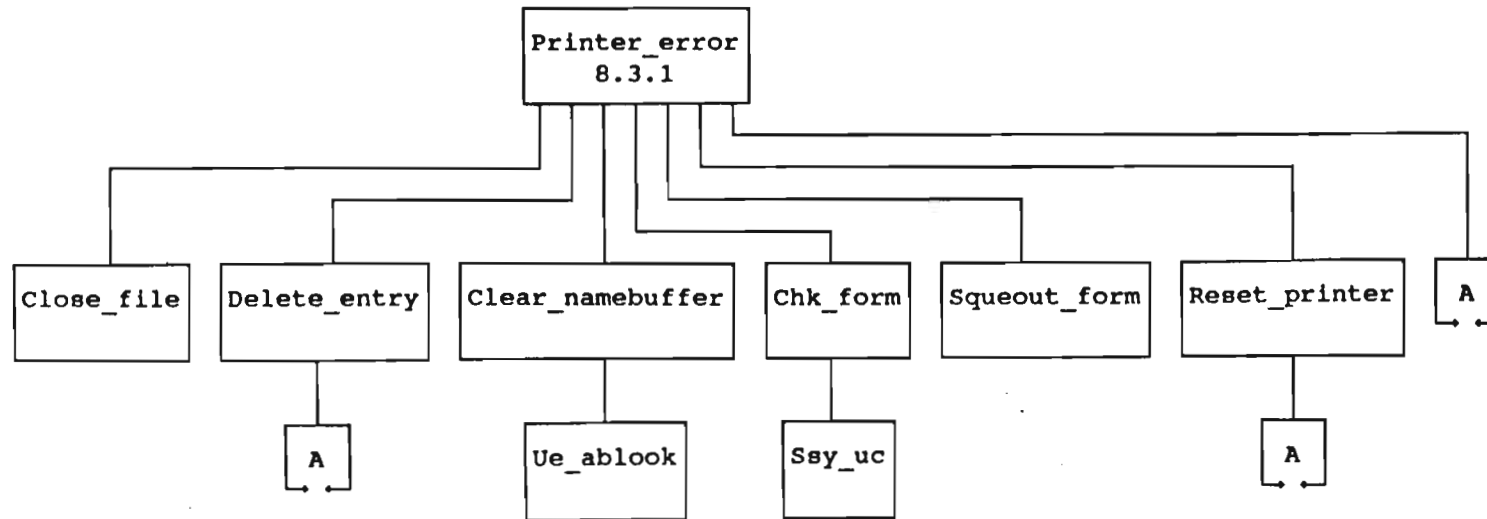
43. 8.2 Prm\_finished



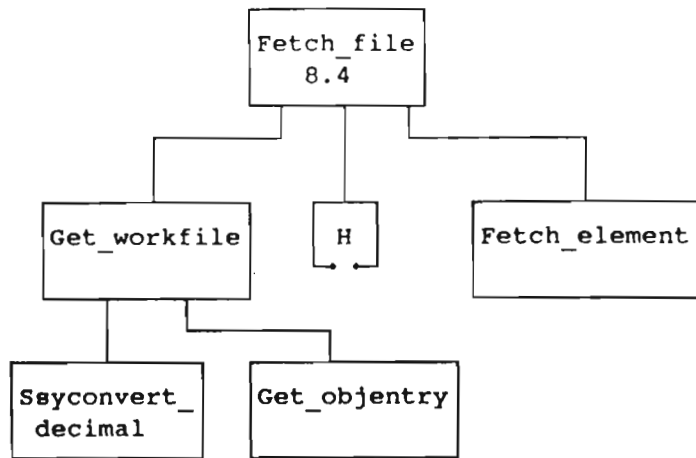
44. 8.3 Chk\_prmstat



45. 8.3.1 Printer\_error

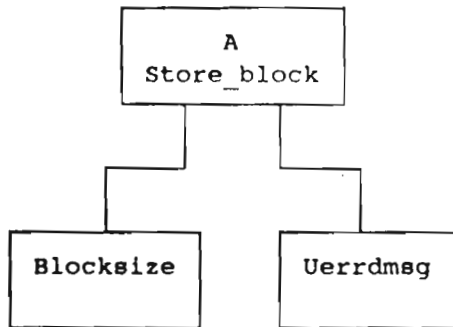


46. 8.4 Fetch\_file

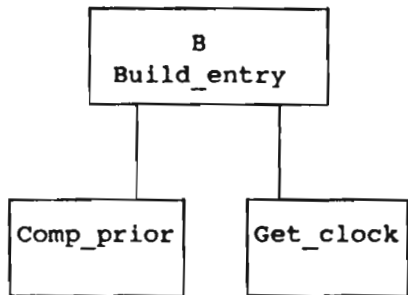




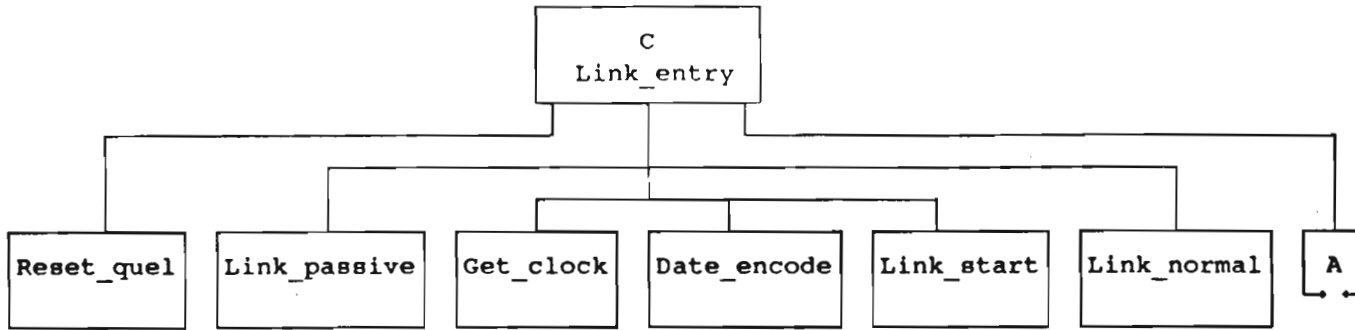
47. A Store\_block



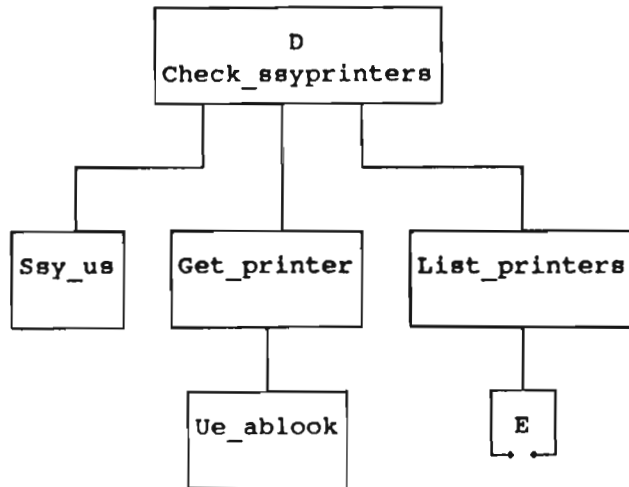
48. B Build\_entry



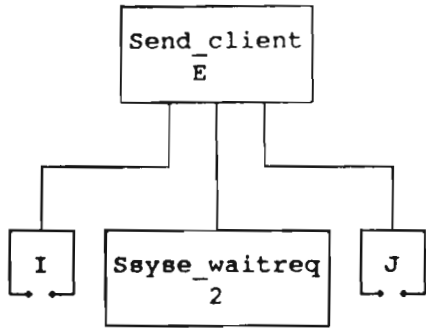
49. C Link\_entry



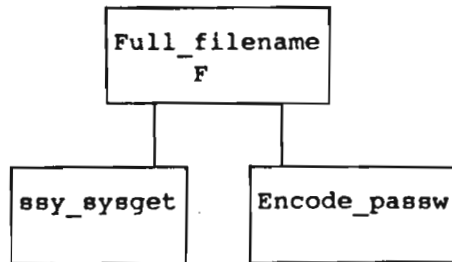
50. D Check\_ssyprinters



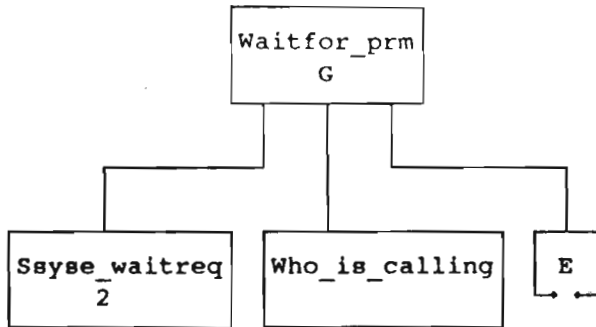
51. E Send\_client



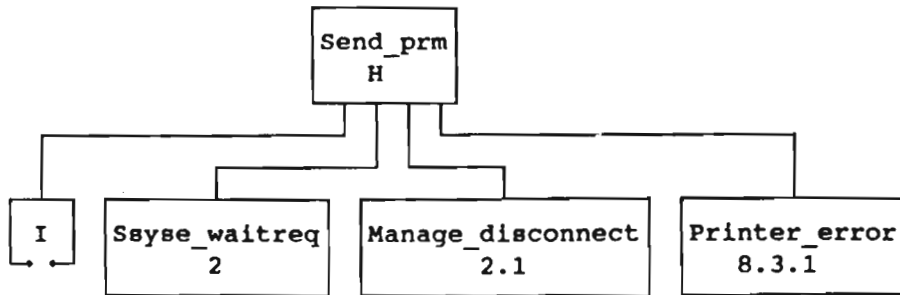
52. F Full\_filename



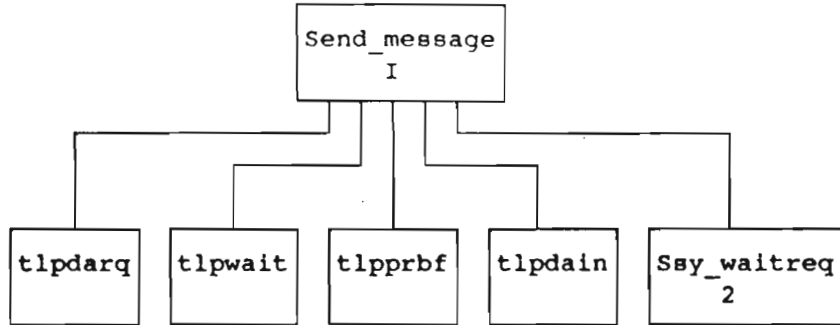
53. G Waitfor\_prm



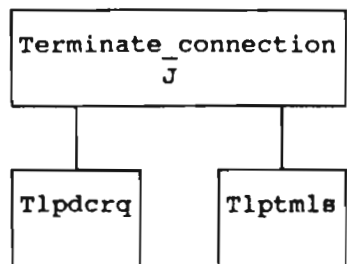
54. H Send\_prm



55. I Send\_message



56. J Terminate\_connection



**57. K Ssy\_error**

This routine is called from almost every routine. Because of space-problems it is removed. In the same situation you will find CHKSTATUS and CHKERROR, witch are macroes.

