

# SN54S482, SN74S482 4-BIT-SLICE EXPANDABLE CONTROL ELEMENTS

SDLS212 – MARCH 1976 – REVISED OCTOBER 1980

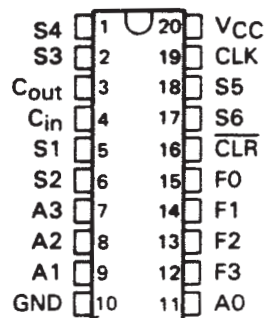
- **4-Bit Slice is Cascadable to N-Bits**
- **Designed Specifically for Microcontroller/Next-Address Generator Functions**
- **Increment/Decrement by One (Immediate or Direct Symbolic Addressing Modes)**
- **Offset, Vector, or Branch (Indexed or Relative Addressing Modes)**
- **Store Up to Four Returns or Links (Program Return Address from Subroutine)**
- **Program start or Initialize (Return to Zero or Clear Mode)**
- **On-Chip Edge-Triggered Output Register (Provides Steady-State Micro-Address/Instruction)**
- **High-Density 20-Pin Dual-in-Line Package with 300-Mil Row Pin Spacing**

## description

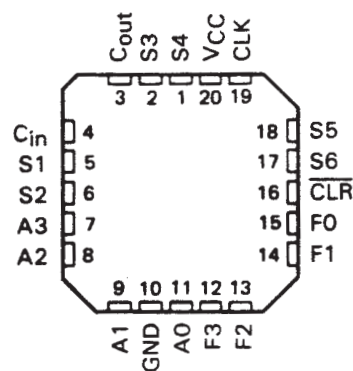
The 'S482 is a high-performance Schottky TTL 4-bit-slice control element for use in any computer/control application requiring the coupling of high-performance bipolar speeds with the flexibility of microprogram control and bit-slice expandability. When used as a next-address generator, two 'S482 elements can address up to 256 words of microprogram; three elements can address up to 4096 words of microprogram; or a number of 'S482 elements can generate N words in multiples of four lines.

Comprised of an output register, push-pop stack, and a full adder, the 'S482 provides the capability to implement multiway testing needed to generate or to determine and select the source of the next function of microprogram address.

SN54S482 . . . J PACKAGE  
SN74S482 . . . J OR N PACKAGE  
(TOP VIEW)



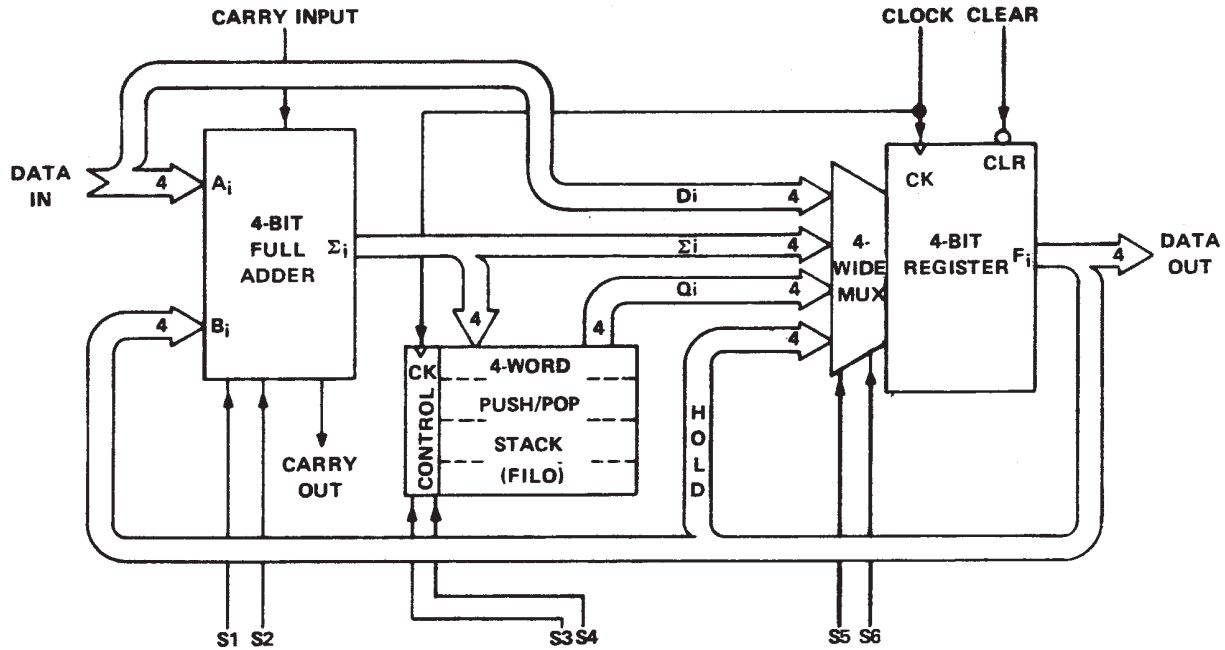
SN54S482 . . . FH PACKAGE  
SN74S482 . . . FN PACKAGE  
(TOP VIEW)



# SN54S482, SN74S482 4-BIT-SLICE EXPANDABLE CONTROL ELEMENTS

SDLS212 – MARCH 1976 – REVISED OCTOBER 1980

## functional block diagram



## output register and source functions

The 4-bit edge-triggered register provides a steady-state output throughout each system clock cycle. An asynchronous clear extends the multiway testing to directly implement system initialization at ROM address zero.

Two source-select lines (S5, S6) provide the output register with access to either the current instruction (no change), an operand or address stored in the push-pop stack, the output of a four-function full adder, or a direct data-in address port. The sources and functions are summarized in Table I and II.

In bus applications, provision must be made to control negative spikes. When low, the output latches can be disturbed if the outputs are forced more negative than  $-0.5$  V.

TABLE I. REGISTER-SOURCE FUNCTIONS

SELECT		REGISTER INPUT SOURCE
S5	S6	
L	L	DATA-IN PORT ( $D_i$ )
L	H	FULL ADDER OUTPUTS ( $\Sigma_i$ )
H	L	PUSH-POP STACK OUTPUTS ( $Q_i$ )
H	H	REGISTER OUTPUTS (HOLD)

H = high level, L = low level

**TABLE II. PUSH-POP STACK CONTROL AND REGISTER-SOURCE FUNCTIONS**

	INPUTS						INTERNAL	OUTPUTS
	S3	S4	S5	S6	CLOCK	CLEAR	QiA	Fi
HOLD CLEAR	X	X	X	X	L	H	QiA0	Fi0
	X	X	X	X	X	L	QiA0	L
PUSH-POP STACK "HOLD"	L	L	L	L	↑	H	QiA0*	Di
	L	L	L	H	↑	H	QiA0*	Σi
	L	L	H	L	↑	H	QiA0*	QiA0
	L	L	H	H	↑	H	QiA0*	Fi0
PUSH-POP STACK "LOAD"	L	H	L	L	↑	H	Σi*	Di
	L	H	L	H	↑	H	Σi*	Σi
	L	H	H	L	↑	H	Σi*	QiA0
	L	H	H	H	↑	H	Σi*	Fi0
PUSH-POP STACK "POP"	H	L	L	L	↑	H	QiB0 <sup>†</sup>	Di
	H	L	L	H	↑	H	QiB0 <sup>†</sup>	Σi
	H	L	H	L	↑	H	QiB0 <sup>†</sup>	QiA0
	H	L	H	H	↑	H	QiB0 <sup>†</sup>	Fi0
PUSH-POP STACK "PUSH"	H	H	L	L	↑	H	Σi <sup>‡</sup>	Di
	H	H	L	H	↑	H	Σi <sup>‡</sup>	Σi
	H	H	H	L	↑	H	Σi <sup>‡</sup>	QiA0
	H	H	H	H	↑	H	Σi <sup>‡</sup>	Fi0

MSB                      LSB  
*i* = 3, 2, 1, 0  
 Ai = Data inputs  
 QiA = Push-pop stack word A output (internal)  
 QiA0 = the level of Qi before the indicated inputs conditions were established.

Fi = Device outputs  
 Fi0 = the level of Fi before the indicated input conditions were established  
 Σi = Adder outputs (internal)  
 \*QiB, QiC, QiD do not change  
 †QiD0 → QiD, QiD0 → QiC, QiC0 → QiB, QiB0 → QiA  
 ‡QiA0 → QiB, QiB0 → QiC, QiC0 → QiD

**push-pop stack control**

The 4-word push-pop stack can be used for nesting up to four levels of program or return (link) addresses. In the load mode, the first (top) word is filled with new data from the output of the full adder, and no push occurs meaning that previous data at that location is lost. However, all other word locations in the push-pop stack remain unchanged. In the push mode, the new word is again entered in the first (top) location; however, previous data residing in the top three words are pushed down one word location and retained at their new locations. The bottom word is written over and lost.

In the pop mode, words in the push-pop stack move up one location on each clock transition. A unique function is provided by the bottom (fourth) register as its content is retained during the pop mode, and after 3 clock transitions, all words in the stack are filled with the operand/address that occupied the bottom register.

The operand/address will remain available indefinitely if stack functions are limited to the pop or hold modes.

The push-pop stack functions are shown in Tables II and III.



# SN54S482, SN74S482 4-BIT-SLICE EXPANDABLE CONTROL ELEMENTS

SDLS212 – MARCH 1976 – REVISED OCTOBER 1980

**TABLE III. PUSH-POP STACK FUNCTIONS**

FUNCTION	SEL.		REG.	REG.	REG.	REG.	INPUT/ OUTPUT
	S3	S4	D	C	B	A	
BIT 0 LOAD	L	H	QiD0	QiC0	QiB0	← Σi	Σi IN
BIT 1 PUSH	H	H	← QiC0	← QiB0	← QiA0	← Σi	Σi IN
BIT 2 POP	H	L	↶ → QiD0	→ QiD0	→ QiC0	→ QiB0	QiA OUT
BIT 3 HOLD	L	L	QiD0	QiC0	QiB0	QiA0	QiA OUT

μlink operations show previous data location after clock transition.

## full adder

The four-function full adder is controllable from select inputs S1 and S2 to perform:

- A or B incrementation, or decrementation of B
- Unconditional jumps or relative offsets
- No change
- Return to zero or one

Incrementation can be implemented by forcing a carry (high) into the ALU. In this mode either of the following options are possible:

1. Increment (A plus zero plus carry)
2. Increment B (zero plus B plus carry), or decrement B (all highs at A then A plus B with carry input low and disregard, don't use, carry out)
3. Increment the jump or offset (A plus B plus carry)
4. Start at zero or one and increment on each clock (select zero plus zero plus carry, then select zero plus B plus carry), or set register to N and decrement B (see 2 above).
5. No change (carry input is always active and removal of carry combined with either the ALU or register hold mode will retain the current address).

Unconditional jumps can be implemented by applying and selecting the jump directly from the data inputs to the output register. Offset can be accomplished by summing the output register with the offset magnitude (A plus B) with carry low.

The ALU functions are shown in Table IV.

**TABLE IV. ADDRESS CONTROL FUNCTIONS**

INPUTS		INTERNAL
S1	S2	Σi
H	H	0 PLUS 0 PLUS C-in
H	L	0 PLUS Bi PLUS C-in
L	H	Ai PLUS 0 PLUS C-in
L	L	Ai PLUS Bi PLUS c-in



# SN54S482, SN74S482 4-BIT-SLICE EXPANDABLE CONTROL ELEMENTS

SDLS212 – MARCH 1976 – REVISED OCTOBER 1980

## compound generator functions

As the function-select lines of the register sources, push-pop stack, and adder are independent, compound functions can be selected to occur on the next clock transition.

Subroutine branches and returns can be simplified by saving the return or link addresses in the push-pop stack. This branch-and-save function can be accomplished on the same clock time as follows:

DATA-IN	ADDER	PUSH-POP STACK	REGISTER SOURCE
Branch address	Zero plus B plus one (S1 = H, S2 = L)	Push (S3 = S4 = H)	Data-in (S5 = S6 = L)

Up to four branches can be made with the return stored in the 4-word push-pop stack.

## absolute maximum ratings over operating free-air temperature (unless otherwise noted)

Supply voltage, V <sub>CC</sub> (see Note 1)	7 V
Input voltage	5.5 V
Off-state output voltage	5.5 V
Operating free-air temperature range: SN54S482	–55°C to 125°C
SN74S482	0°C to 70°C
Storage temperature range	–65°C to 150°C

NOTE 1. All voltage values are with respect to network ground terminal.

## recommended operating conditions

		SN54S482			SN74S482			UNIT
		MIN	NOM	MAX	MIN	NOM	MAX	
V <sub>CC</sub>	Supply voltage	4.5	5	5.5	4.75	5	5.25	V
V <sub>IH</sub>	High-level input voltage	2			2			V
V <sub>IL</sub>	Low-level input voltage			0.8			0.8	V
I <sub>OH</sub>	High-level output current	C <sub>out</sub>		–1	–1		mA	
		Any F		–2	–2			
I <sub>OL</sub>	Low-level output current	C <sub>out</sub>		10	10		mA	
		Any F		16	16			
t <sub>w</sub>	Pulse duration	CLK high or low		50	30		ns	
		CLR low		15	15			
t <sub>su</sub>	Setup time, before CLK↑	Data-in, S5, S6		0	0		ns	
		Data-in via adder to stack		35	30			
		Data-in via adder to output latch		25	20			
		S1, S2		40	30			
		S3, S4		20	15			
CLR, inactive state				0	0			
t <sub>r</sub>	CLK input rise time			20	25		ns	
t <sub>h</sub>	Hold time, after CLK↑	Data-in, S5, S6		30	25		ns	
		Data-in via adder		15	10			
		S1, S2		15	10			
		S3, S4		25	20			
T <sub>A</sub>	Operating free-air temperature	–55		125	0		70	°C



# SN54S482, SN74S482

## 4-BIT-SLICE EXPANDABLE CONTROL ELEMENTS

SDLS212 – MARCH 1976 – REVISED OCTOBER 1980

**electrical characteristics over recommended operating free-air temperature range (unless otherwise noted)**

PARAMETER	TEST CONDITIONS†	SN54S482		SN74S482		UNIT		
		MIN	TYP‡	MAX	MIN		TYP‡	MAX
V <sub>IK</sub>	V <sub>CC</sub> = MIN, I <sub>L</sub> = -18 mA			-1.2		-1.2	V	
V <sub>OH</sub>	C <sub>out</sub>	2.5	3.4		2.7	3.4	V	
	Any F	2.5	3.4		2.7	3.4		
V <sub>OL</sub>	C <sub>out</sub>			0.5		0.5	V	
	Any F			0.5		0.5		
I <sub>I</sub>	V <sub>CC</sub> = MIN, V <sub>I</sub> = 5.5 V			1		1	mA	
I <sub>IH</sub>	S1, S2, C <sub>in</sub>			50		50	μA	
	S3, S4, S5, S6, CLK			0.1		0.1		
	CLR	V <sub>CC</sub> = MAX, V <sub>I</sub> = 2.7 V			0.25		0.25	mA
	Any A			0.15		0.15		
I <sub>IL</sub>	S1, S2			-1		-1	mA	
	C <sub>in</sub>			-0.8		-0.8		
	S3, S4	V <sub>CC</sub> = MAX, V <sub>I</sub> = 0.5 V			-1.2			-1.2
	Any A, S5, S6			-2		-2		
	CLR			-4		-4		
	CLK			-2.8		-2.8		
I <sub>OS</sub> ‡	V <sub>CC</sub> = MAX	-40		-110	-40		-110	mA
I <sub>CC</sub>	V <sub>CC</sub> = MAX		90	130		90	140	mA

†For conditions shown as MIN or MAX, use the appropriate value specified under recommended operating conditions.

‡All typical values are at V<sub>CC</sub> = 5 V, T<sub>A</sub> = 25°C.

§Not more than one output should be shorted at a time.

### switching characteristics (see Note 1)

PARAMETER	FROM (INPUT)	TO (OUTPUT)	V <sub>CC</sub> = MIN to MAX C <sub>L</sub> = 15 pF R <sub>L</sub> = 280 Ω T <sub>A</sub> = MIN to MAX				UNIT	
			SN54S482		SN74S482			
			MIN	TYP‡	MAX	MIN		TYP‡
t <sub>PLH</sub>	CLK	Any F	12		30	12	25	ns
t <sub>PHL</sub>			15		30	15	25	
t <sub>PHL</sub>	CLR	Any F	12		25	12	20	ns
t <sub>PLH</sub>	C <sub>in</sub>	C <sub>out</sub>	12		22	12	18	ns
t <sub>PHL</sub>			10		22	10	18	
t <sub>PLH</sub>	Any A	C <sub>out</sub>	17		30	17	25	ns
t <sub>PHL</sub>			12		30	12	23	

‡All typical values are at V<sub>CC</sub> = 5 V, T<sub>A</sub> = 25°C.

NOTE 1: See General Information Section for load circuit and voltage waveforms.



## IMPORTANT NOTICE

Texas Instruments and its subsidiaries (TI) reserve the right to make changes to their products or to discontinue any product or service without notice, and advise customers to obtain the latest version of relevant information to verify, before placing orders, that information being relied on is current and complete. All products are sold subject to the terms and conditions of sale supplied at the time of order acknowledgement, including those pertaining to warranty, patent infringement, and limitation of liability.

TI warrants performance of its semiconductor products to the specifications applicable at the time of sale in accordance with TI's standard warranty. Testing and other quality control techniques are utilized to the extent TI deems necessary to support this warranty. Specific testing of all parameters of each device is not necessarily performed, except those mandated by government requirements.

CERTAIN APPLICATIONS USING SEMICONDUCTOR PRODUCTS MAY INVOLVE POTENTIAL RISKS OF DEATH, PERSONAL INJURY, OR SEVERE PROPERTY OR ENVIRONMENTAL DAMAGE ("CRITICAL APPLICATIONS"). TI SEMICONDUCTOR PRODUCTS ARE NOT DESIGNED, AUTHORIZED, OR WARRANTED TO BE SUITABLE FOR USE IN LIFE-SUPPORT DEVICES OR SYSTEMS OR OTHER CRITICAL APPLICATIONS. INCLUSION OF TI PRODUCTS IN SUCH APPLICATIONS IS UNDERSTOOD TO BE FULLY AT THE CUSTOMER'S RISK.

In order to minimize risks associated with the customer's applications, adequate design and operating safeguards must be provided by the customer to minimize inherent or procedural hazards.

TI assumes no liability for applications assistance or customer product design. TI does not warrant or represent that any license, either express or implied, is granted under any patent right, copyright, mask work right, or other intellectual property right of TI covering or relating to any combination, machine, or process in which such semiconductor products or services might be or are used. TI's publication of information regarding any third party's products or services does not constitute TI's approval, warranty or endorsement thereof.