

COMMA	ENGINEERING CHANGE ORDER		PAGE 1 OF 4.
	ECO NO.: 100-785		
VALID FOR	PART NOs. : 350002/350102 - 350113 VERSIONS : NC,ND,NN NAME : ND-120 CPU, MM & M PRINT NOs.: 3202 ND NOs. : --		
NEW VERSION	PART NOs. : 350002/350102 - 350113 VERSIONS : PC,PD,PN NAME : ND-120 CPU, MM & M		
SYMPTOMS	<p><u>SINTRAN ERROR MESSAGE:</u></p> <p><u>MEMORY OUT OF RANGE:</u></p> <p><u>IOX-ERROR:</u></p> <p>CPU is too sensitive to noise, especially in ND-5000 cabinets model C and S (David and Pluto).</p>		
COMPONENTS	REMOVE:	INSERT:	Part No.
IC	1 pc. 74F244	1 pc. 74S244	
VALIDITY	X EQUIPMENT IN PRODUCTION X FUTURE PRODUCTION * FIELD ACTION		
RESPONSIBILITY	APPROVED BY: LB DATE: 921105	REVISION: _____ DATE: _____	ISSUED BY: _____ DATE: _____

- Comma Data Service -

COMMA DATA SERVICE	ENGINEERING CHANGE ORDER	PAGE 2 OF 4.
PART NO.: 350002/350102 - 350113 NC,ND,NN > PC,PD,PN (3202)		ECO NO.: 100-785
ISSUED	DATE: 920609	BY (INITIALS): AMA

Remove 1 pc. 74F244 in pos. 33C.

Insert 1 pc. 74S244 in pos. 33C.

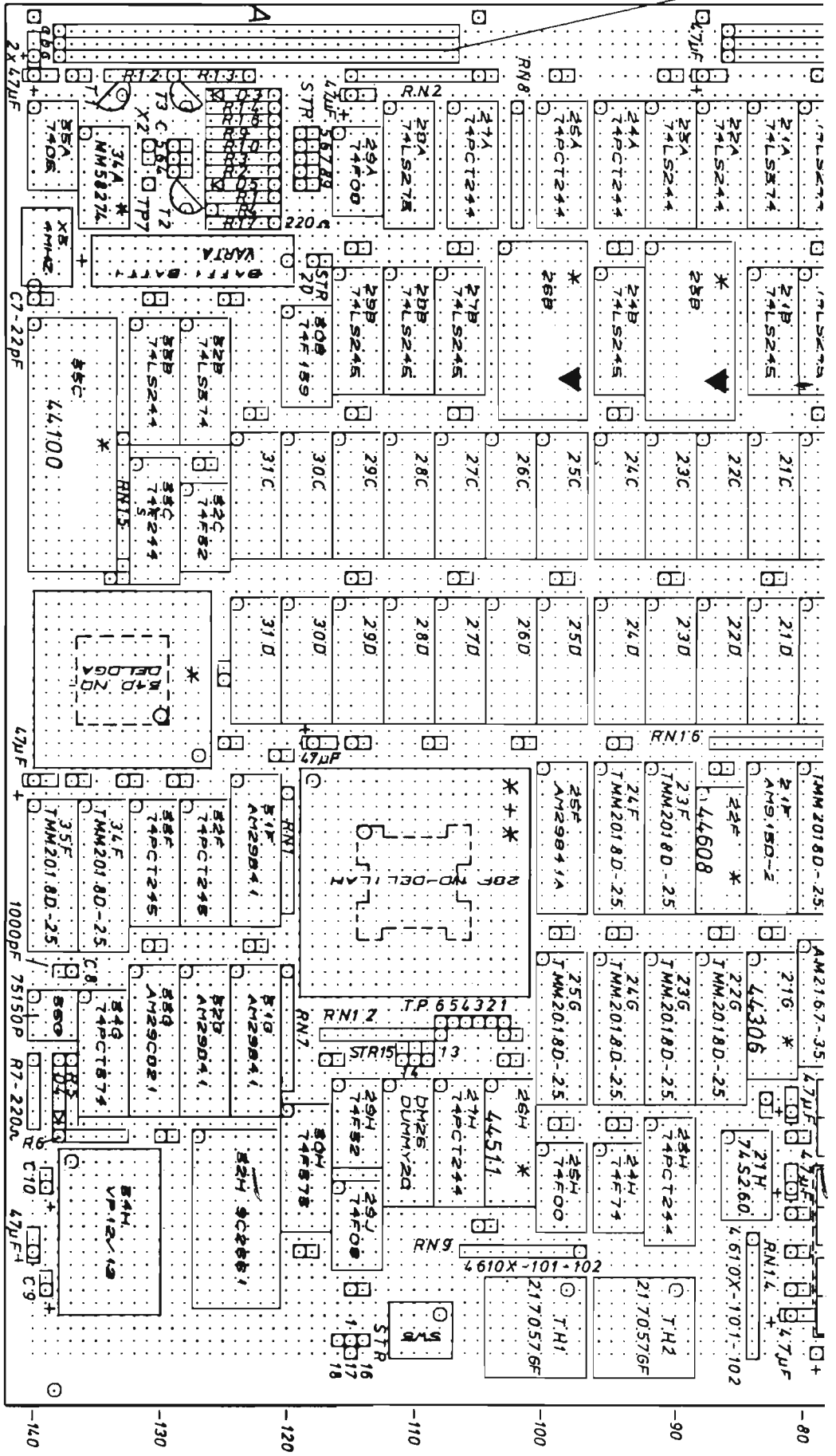
Following must be done on Strapfield:

Insert jumper 12x.118y - 12x.119y (STR 9)

Result should be as below.

JUMPERS	S5	S6	S7	S8	S9
Indicating current ECO level.	<input type="checkbox"/>	<input type="checkbox"/>	<input type="checkbox"/>	<input type="checkbox"/>	<input type="checkbox"/>

3 x 875



UNMARKED CAPACITOR: 100nF, 0.1" spacing (121pcs)
 UNMARKED IC's: 16C-31C, 16D-31D = 1DT6168A-20

CORRECTIONS WITHOUT ECO

SEE BILL OF MATERIAL
 ND-120/CX ND-120
 * = SOCKET
 ** = 2 pcs SOCKET

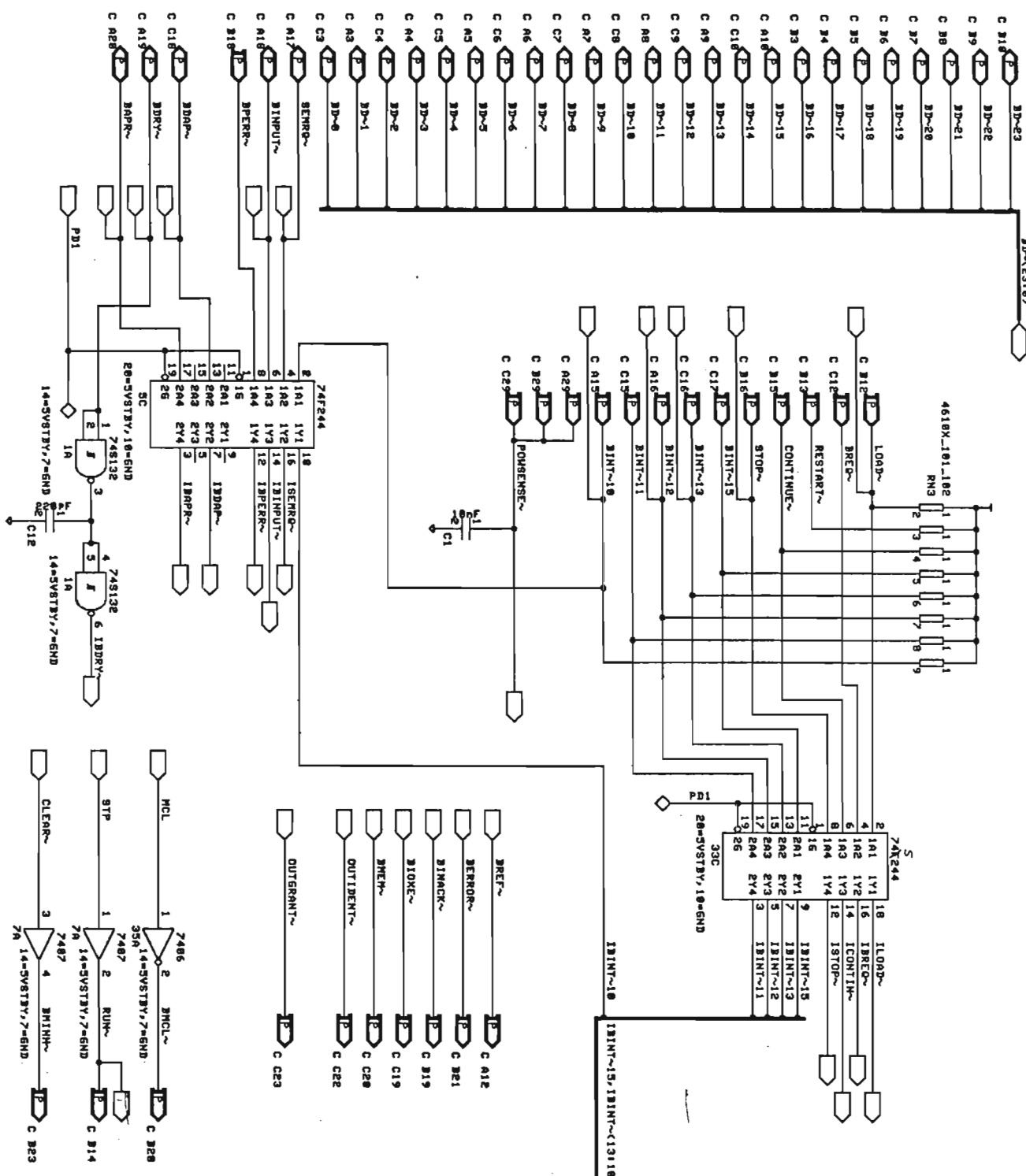
No	Description	Data / Sign
88-005	ENG. SPEC.	880216/Eml
88-016	ENG. SPEC.	880325/Eml
88-034	ENG. SPEC.	880688/BW
88-074	ENG. SPEC.	

** Id. no.:	Id. no.:	Name:
350002	350108	32-BIT 6MB
350102	350109	48-BIT 6MB
350103	350110	32-BIT 4MB
350104	350111	48-BIT 4MB
350105	350112	32-BIT 2MB
350106	350113	48-BIT 2MB

Designed by JLB

ECO: 100. J5 P. 3 OF 4

910102



		NORSE DATA LTD BENIGN VALANCE MEUBURY, BERKS UNITED KINGDOM	
ID NO1 350002NH PRINTS 3202N		SHEET 4 OF 58	
MD128 CPU/MAN DRAWN: JLB/CLTC C PLUG		DESIGN: JLB/CLTC DRAWN: JLB/CLTC DATE: 1 91.01.93	
REV:		REV:	